

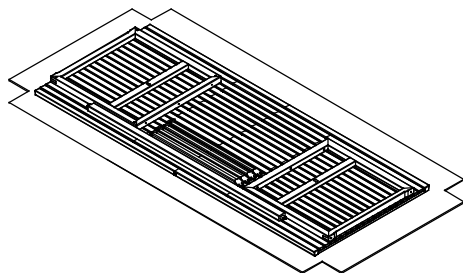
We recommend two people be on hand for this assembly

Tools required:
-4mm allen key (included)

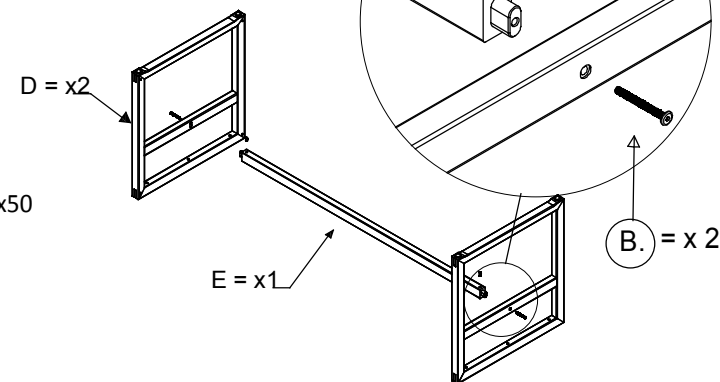
Vevi Dining Table 230x95cm

ASSEMBLY INSTRUCTION

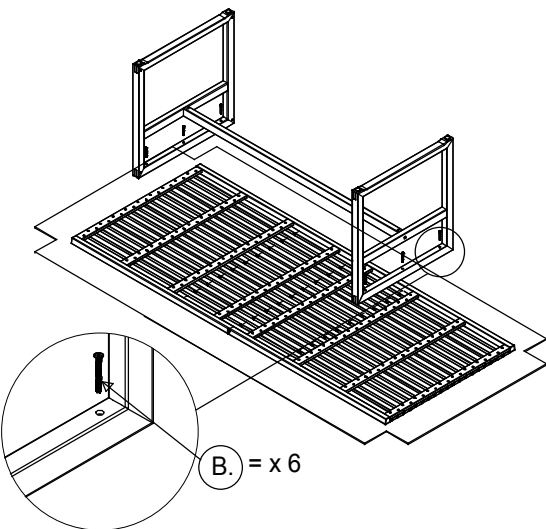
1. Use the carton as protective work surface by flattening out the sides and ends.



2. Secure center rail support in place using supplied cross dowels M6 and JCBC bolt M6x50

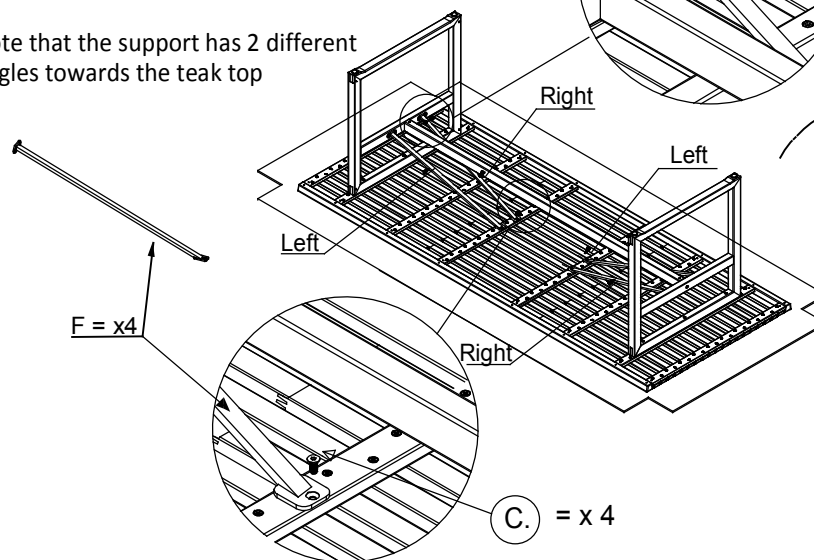


3. Line the leg assembly to the teak top and secure them with JCBC bolt M6x50

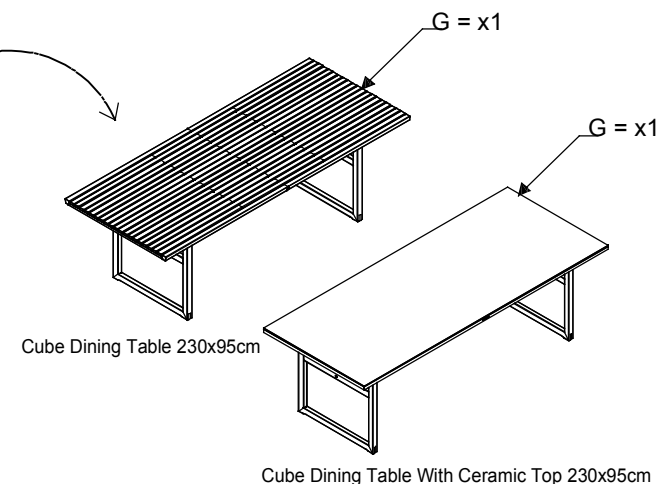


4. Place stainless steel support and secure them with flat head bolt M6x16. Secure the 4 bolts that run into the table top prior to securing the 8 bolts that run into the legs

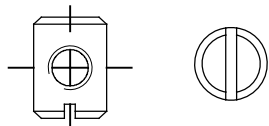
Note that the support has 2 different angles towards the teak top



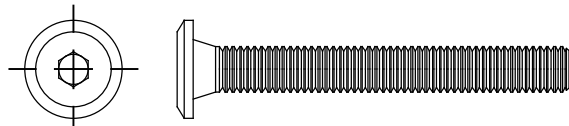
5. Turn the table right-side-up



(A) CROSS DOWELS M6



(B) JCBC BOLT M6x50



(C) FLAT HEAD BOLT M6x16



(D) Teak Side Frame

(E) Center Rail Support

(F) Stainless Steel Support

(G) Table Top Assembly