
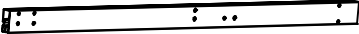

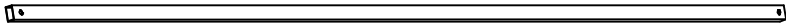
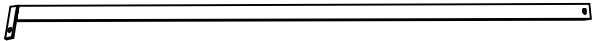
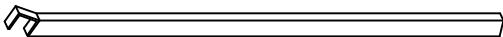


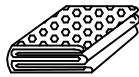














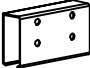
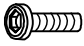

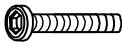

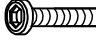

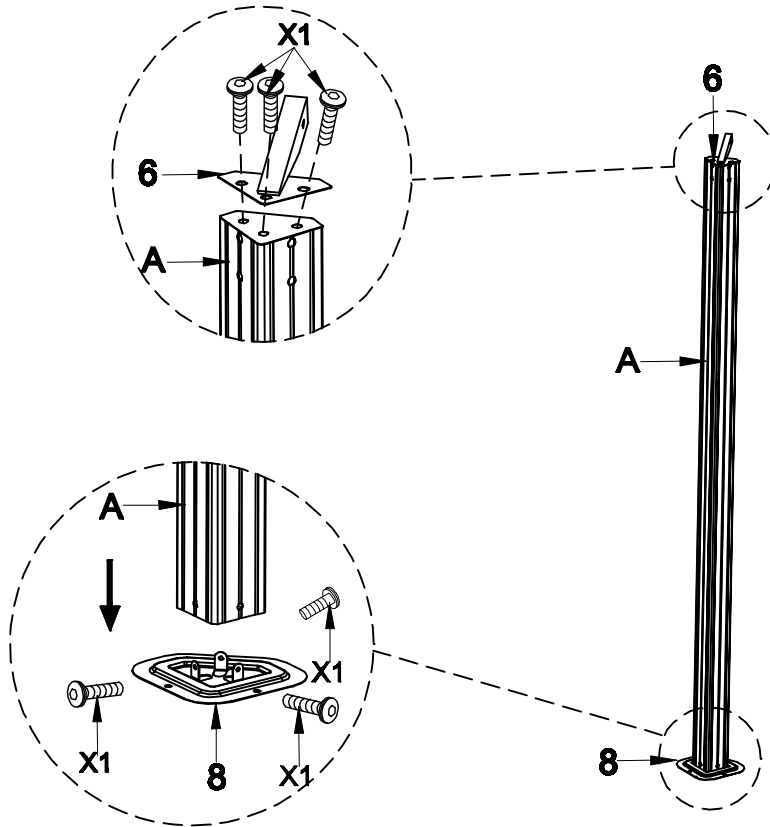


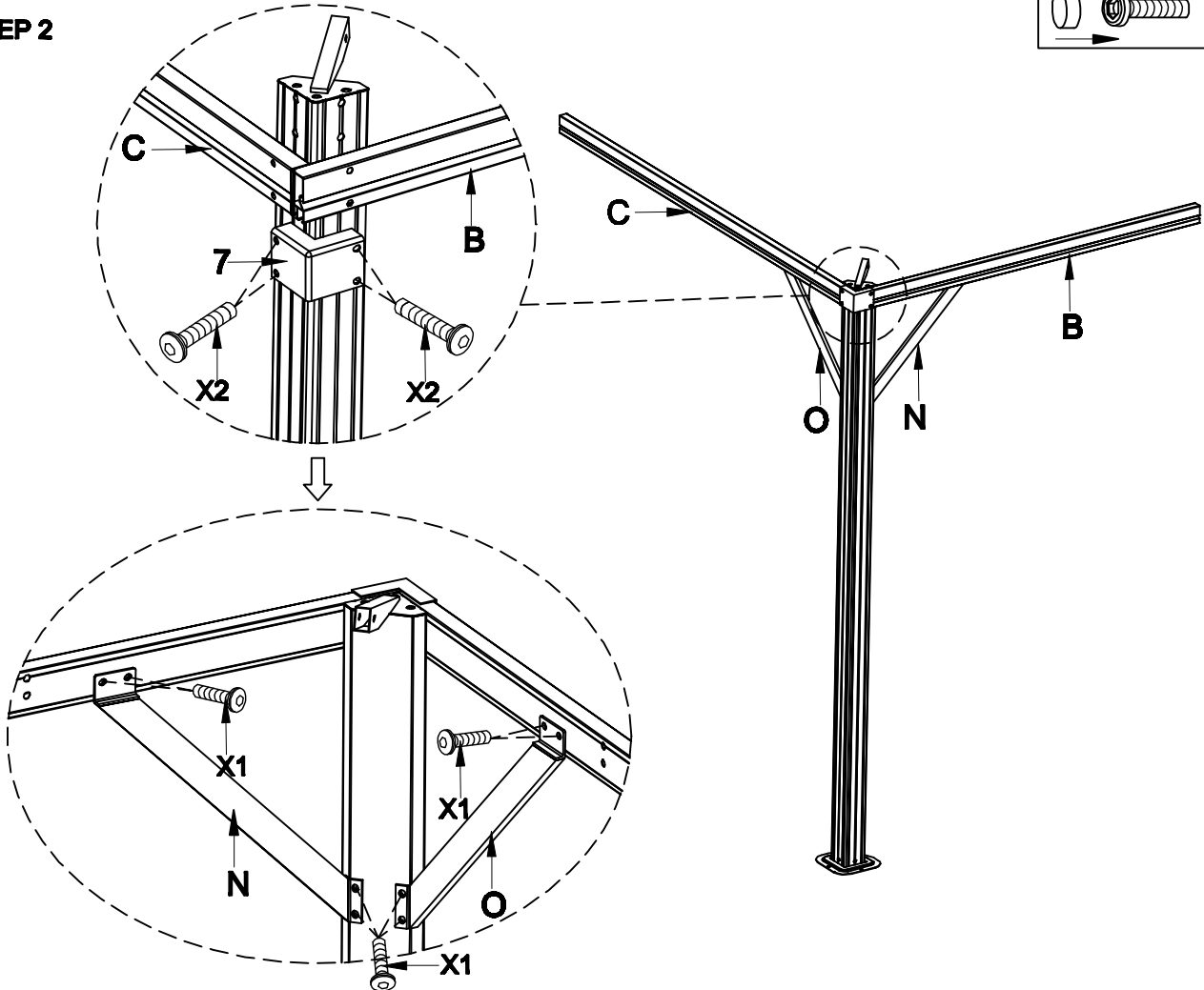
NO.	PARTS	QTY
A		4pcs
B		4pcs
C		4pcs
F		4pcs
G		4pcs
K		8pcs
P		4pcs

NO.	PARTS	QTY	NO.	PARTS	QTY
N		4pcs	14		4pcs
O		4pcs	15		80pcs
3		4pcs	16		16pcs
5		1pc	17		1pc
6		4pcs	18		1pc
7		4pcs	19		136pcs
8		4pcs	20		12pcs
10		4pcs	21		4pcs
11		4pcs	X1	 M6*15	108pcs
12		1pc	X2	 M6*40	16pcs
13		4pcs	X3	 M6*30 	12pcs

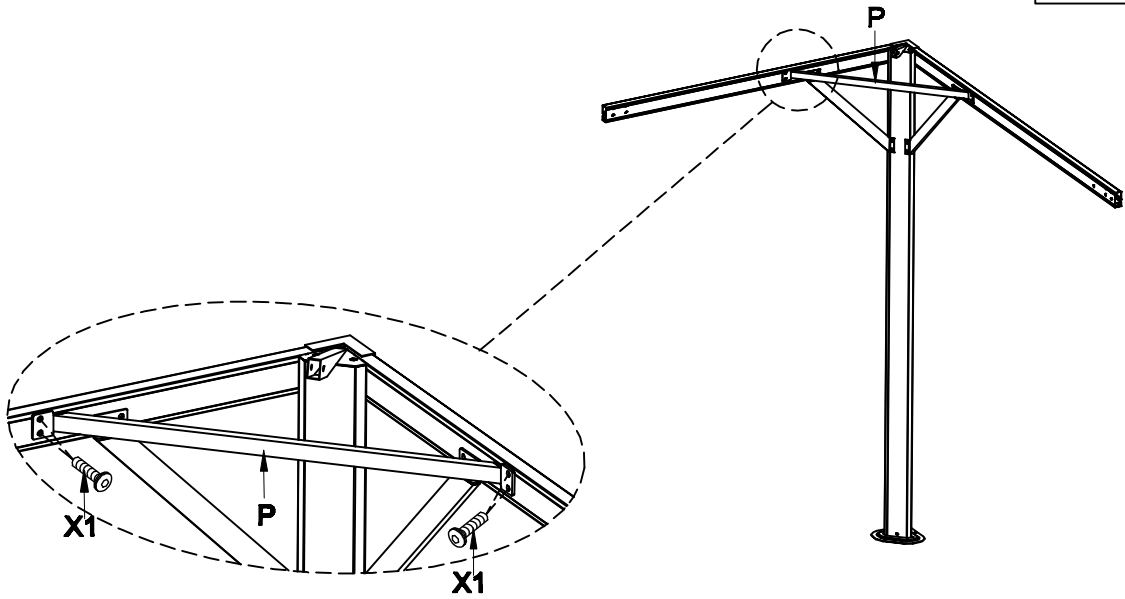
**STEP 1**



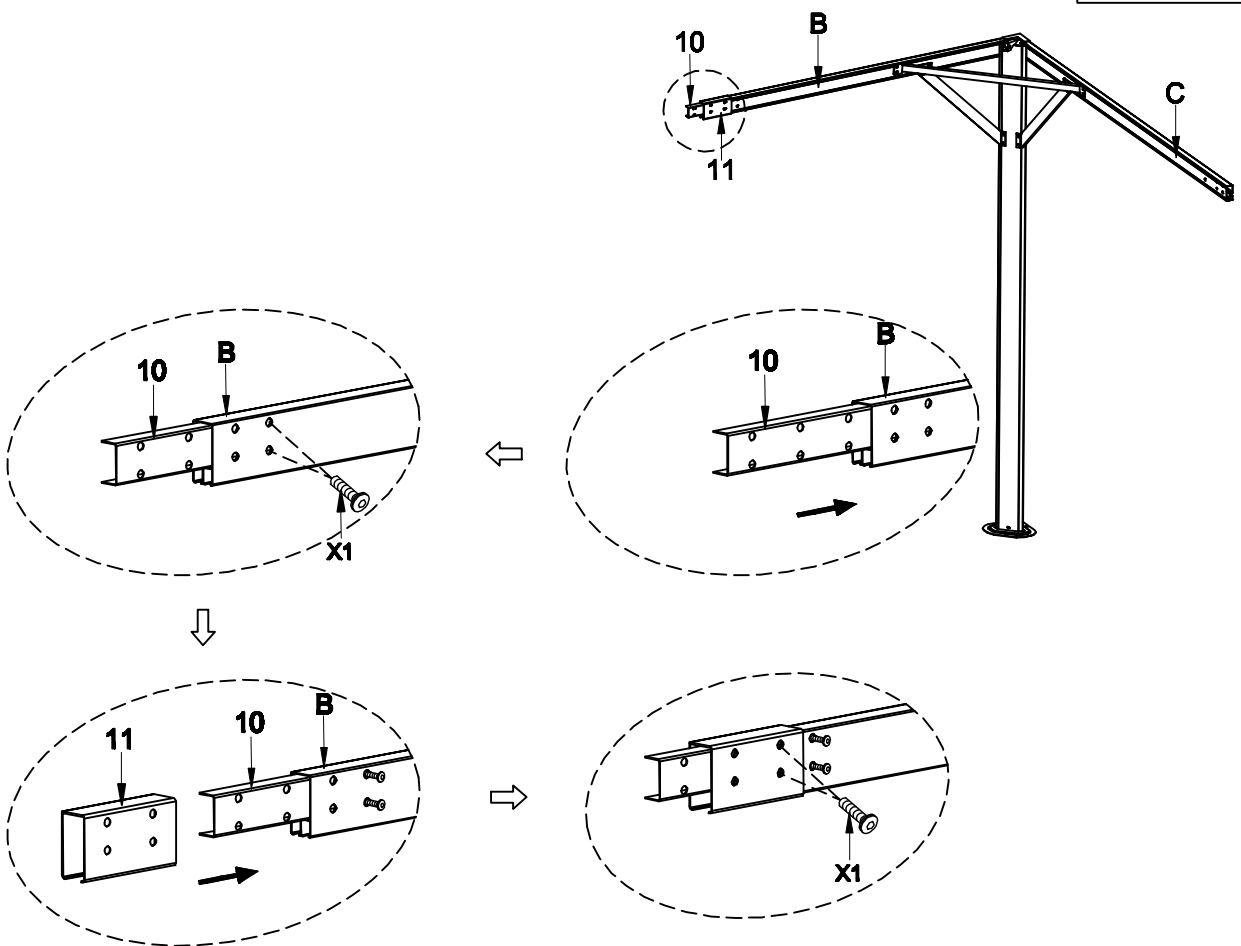
**STEP 2**



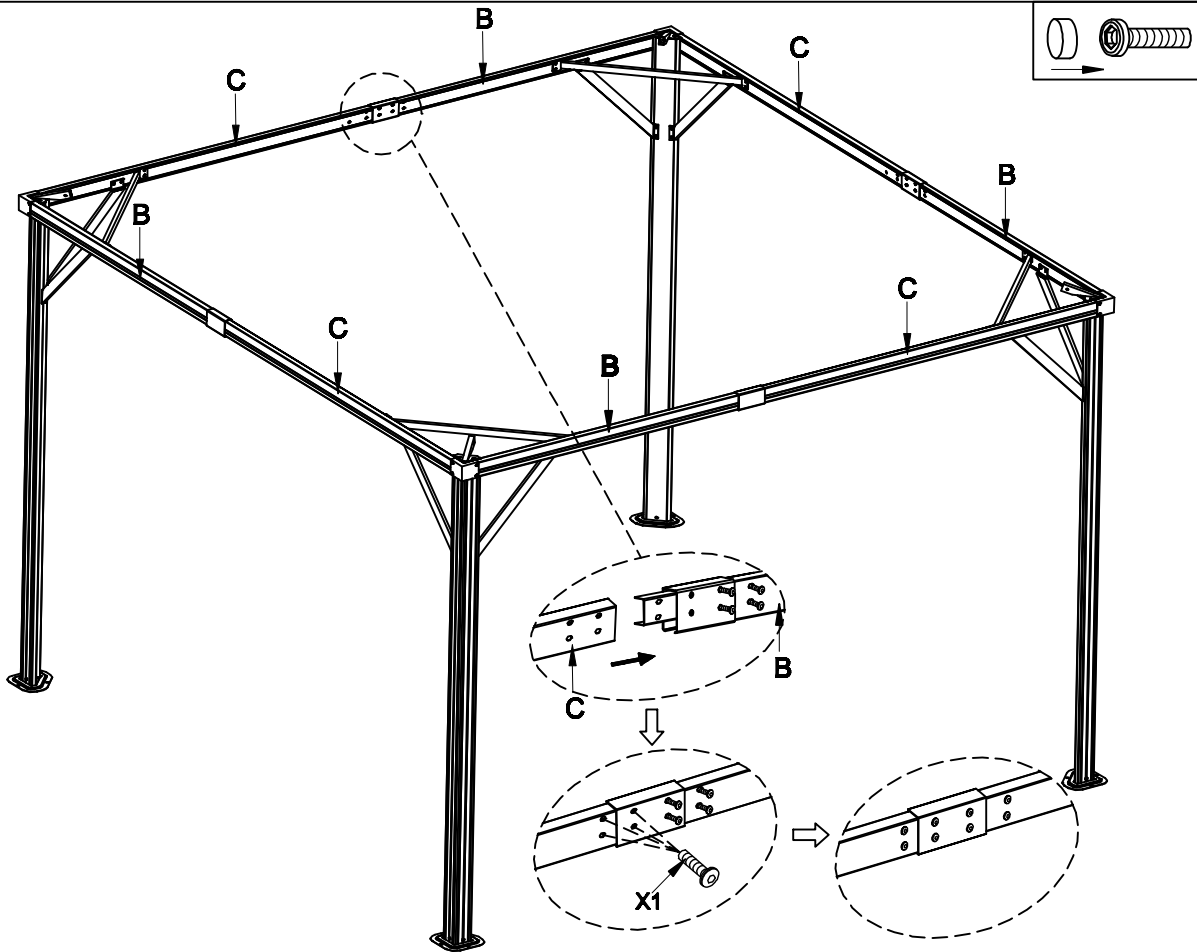
**STEP 3**



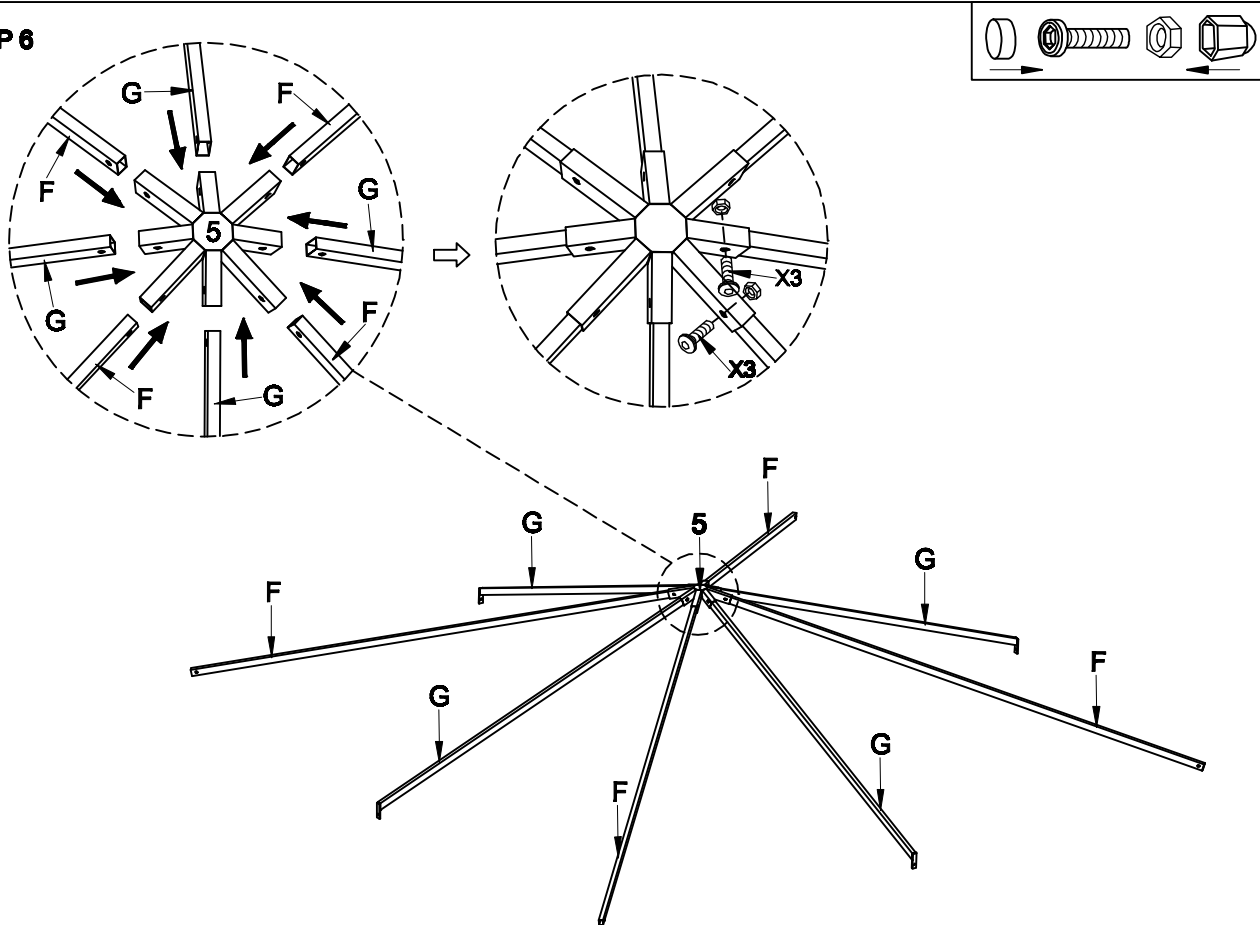
**STEP 4**



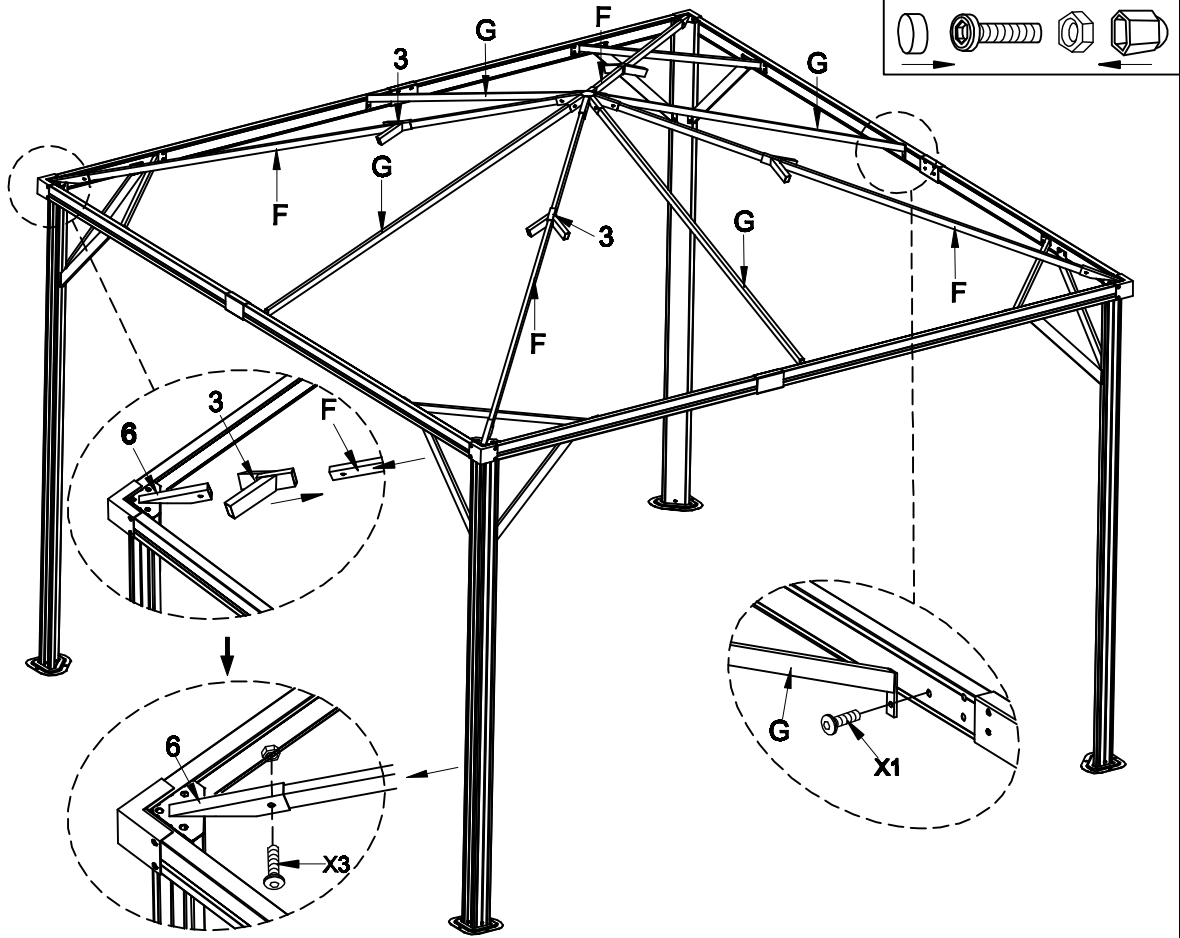
**STEP 5**



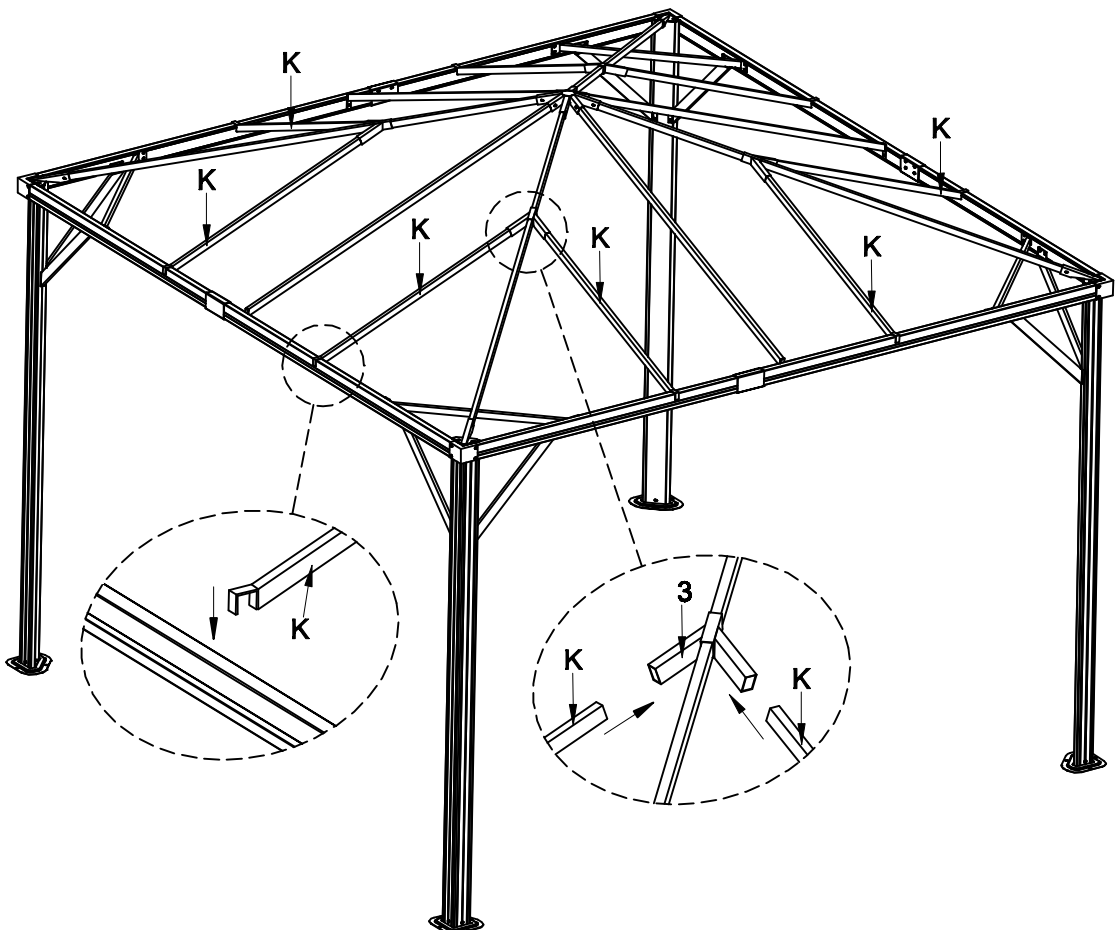
**STEP 6**



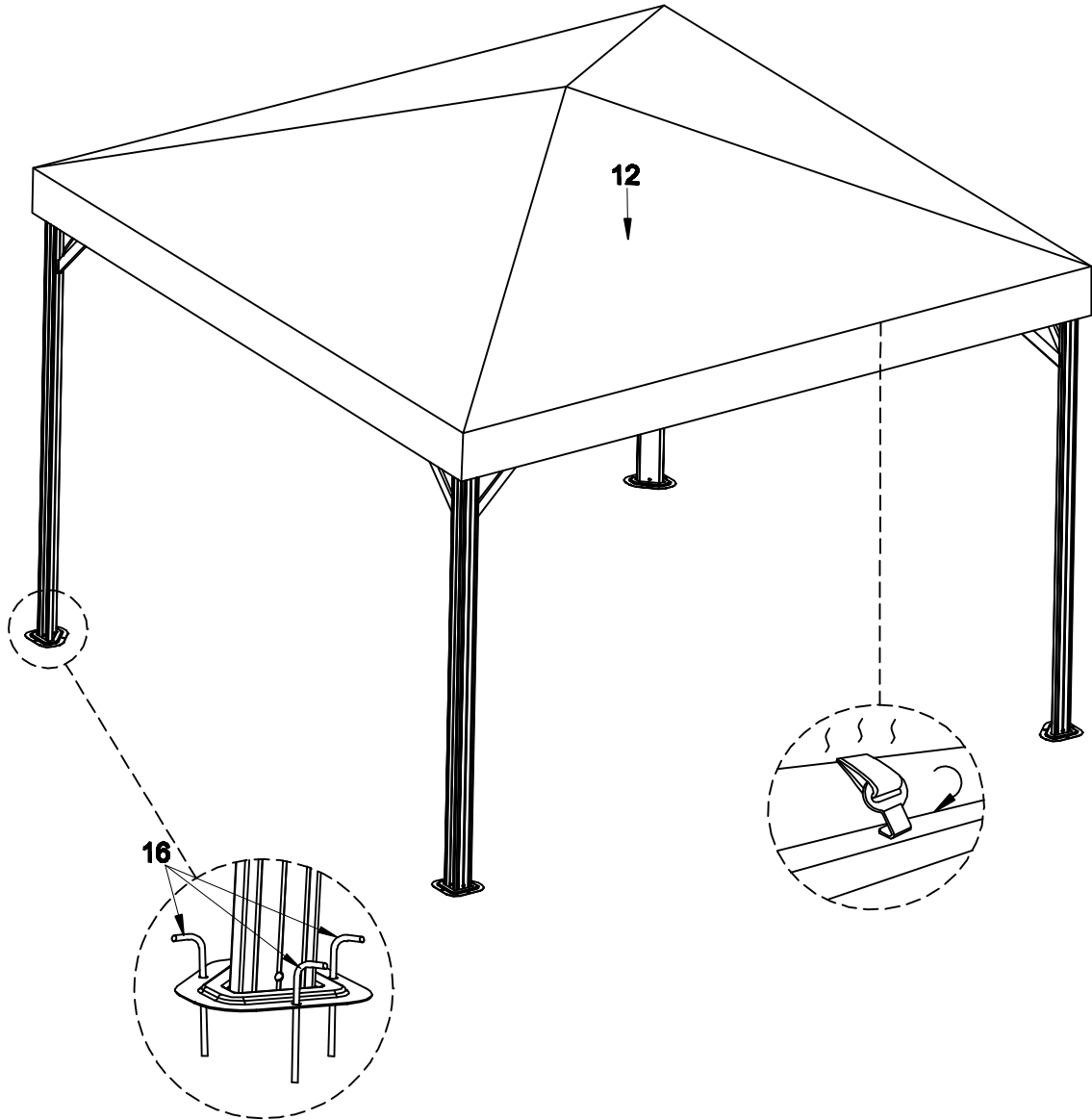
**STEP 7**



**STEP 8**



**STEP 9**



**STEP 10**

