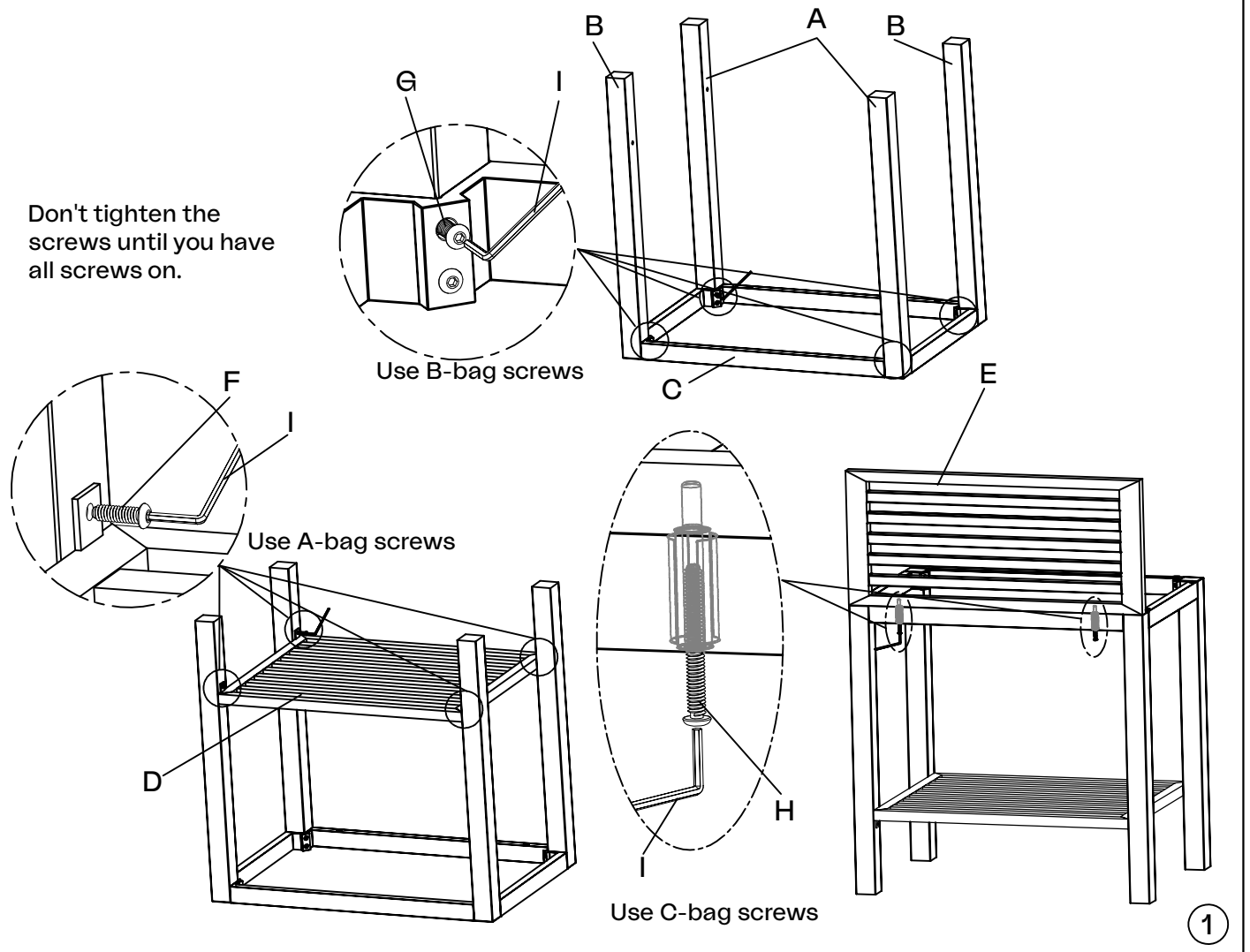
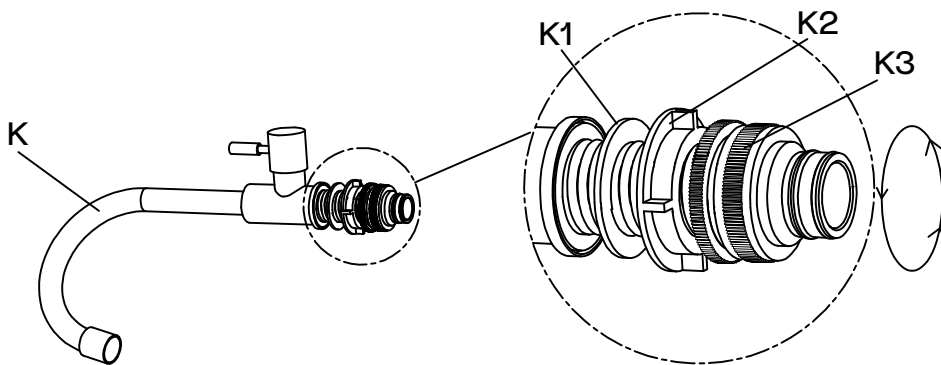
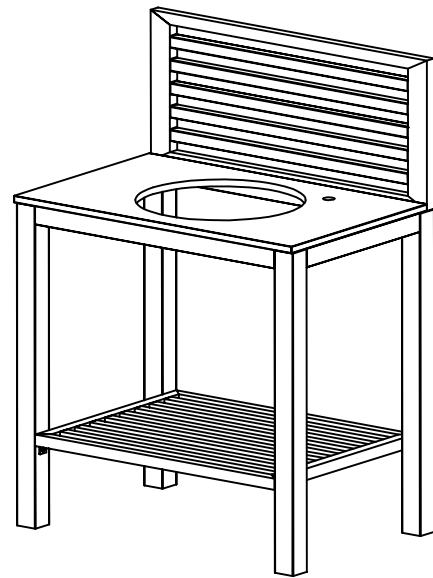
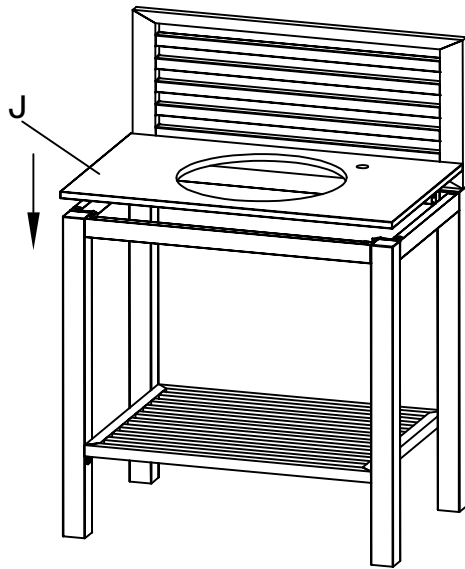


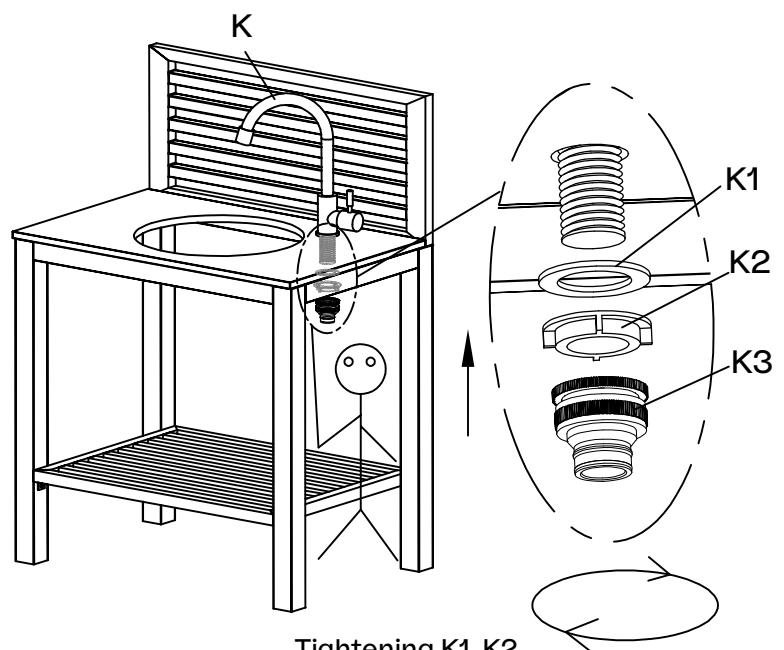
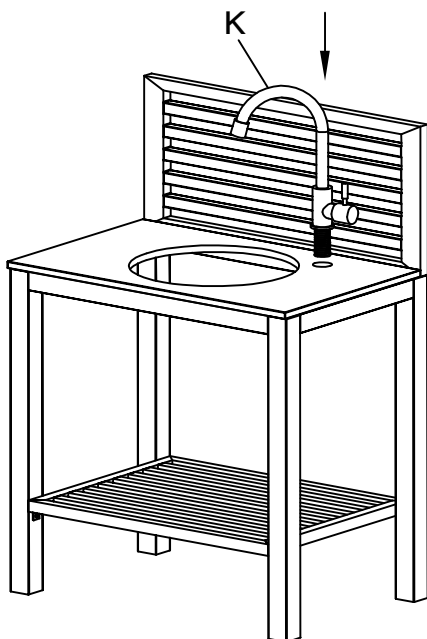
A	B	C	D	E	F	G	H	I
2PCS	2PCS	1PC	1PC	1PC	4PCS 1/4*15	8PCS M8*35	2PCS M8*65	1PC
J		K	L	M	N			
1PC		1PC	1PC	1PC	1PC			

Don't tighten the screws until you have all screws on.





Twisting the K1,K2
and K3 out.



Tightening K1, K2
and K3.

