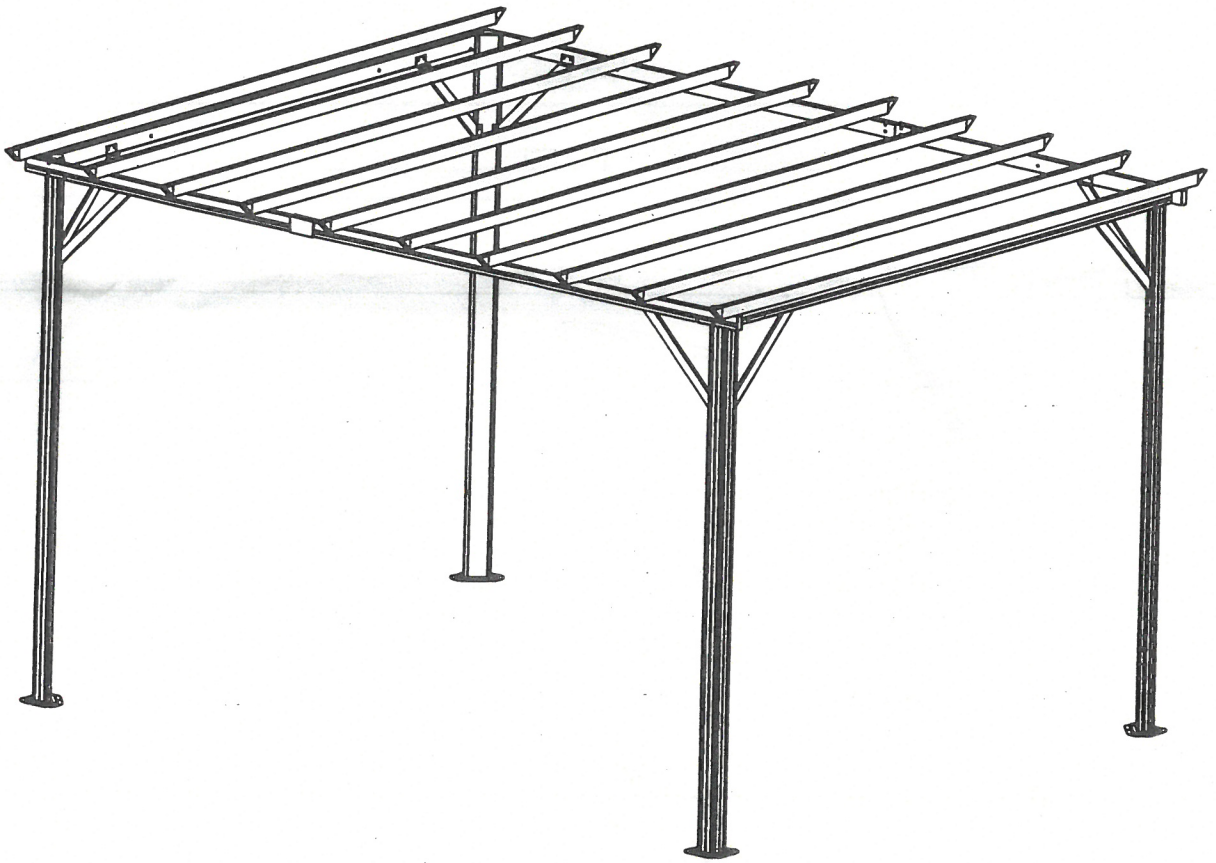
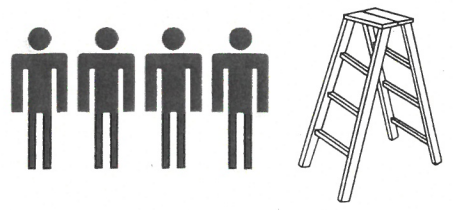

















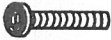

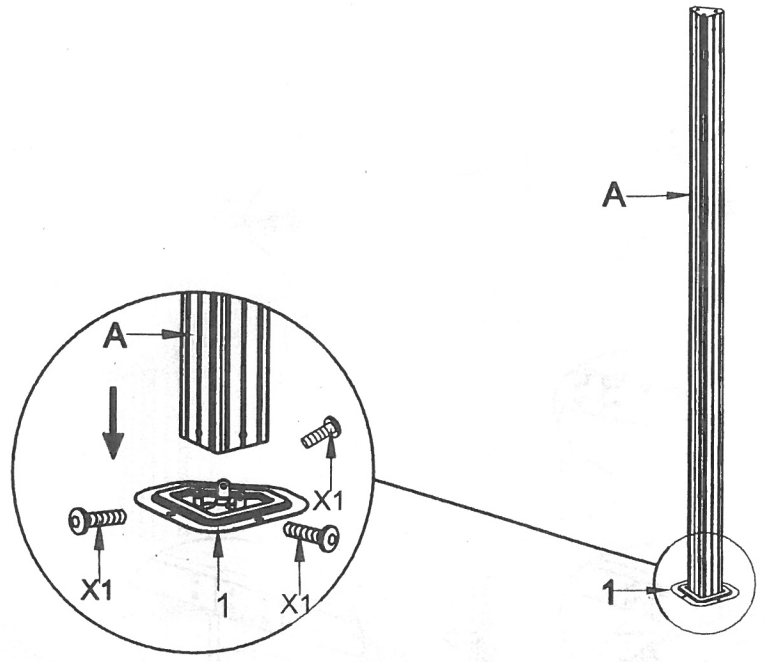
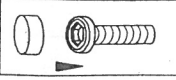


Piode 5000-05-07

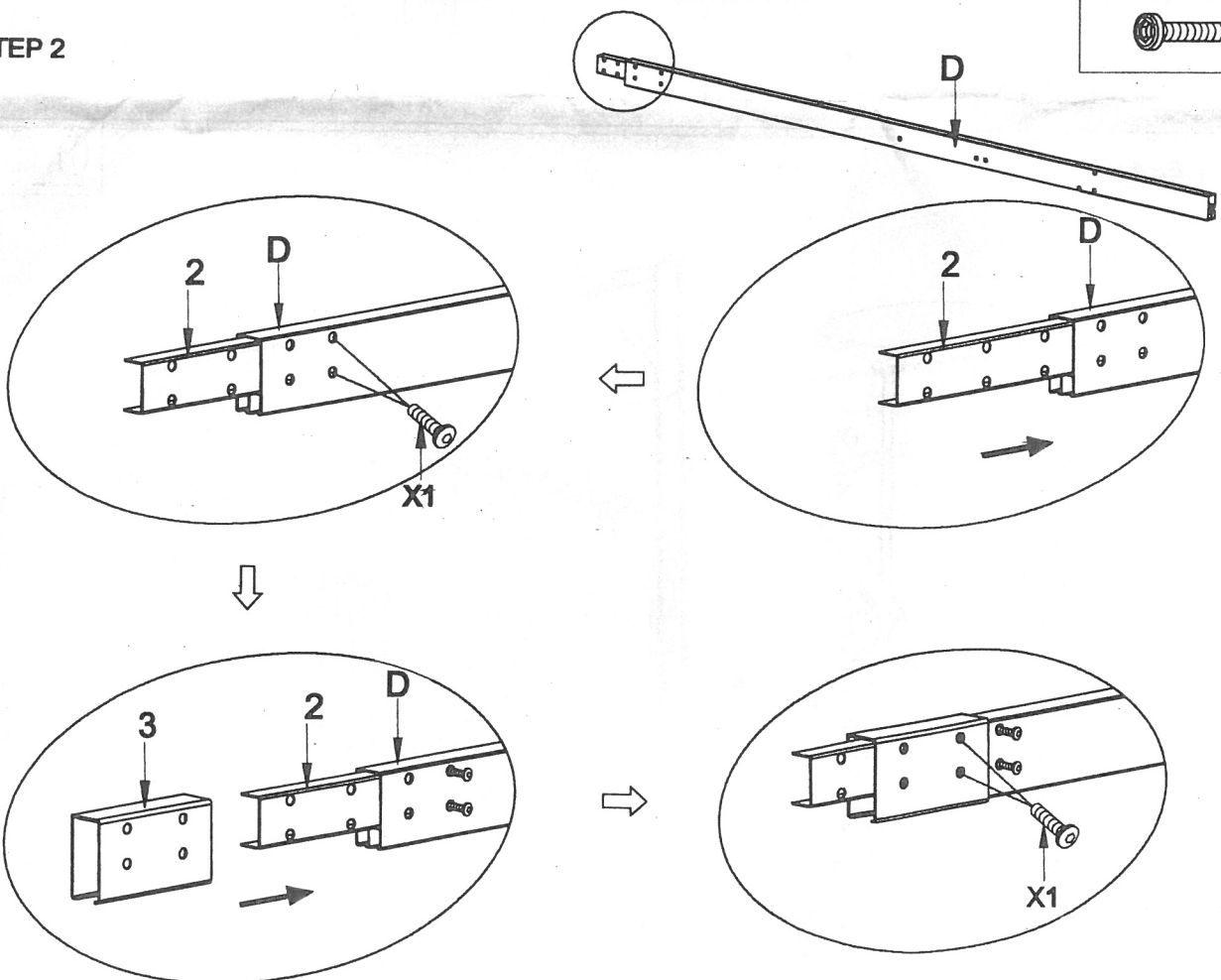


NO.	PARTS	QTY
A		4pcs
B		2pcs
C		2pcs
D		2pcs
E		10pcs
N		4pcs
O		4pcs
1		4pcs
2		2pcs
3		2pcs
4		12pcs
5		1pc
6		96pcs
7		20pcs
9		36pcs
10		4pcs
X1	 M6*15	60pcs
X2	 M6*40	16pcs
X3	 M6*60	20pcs

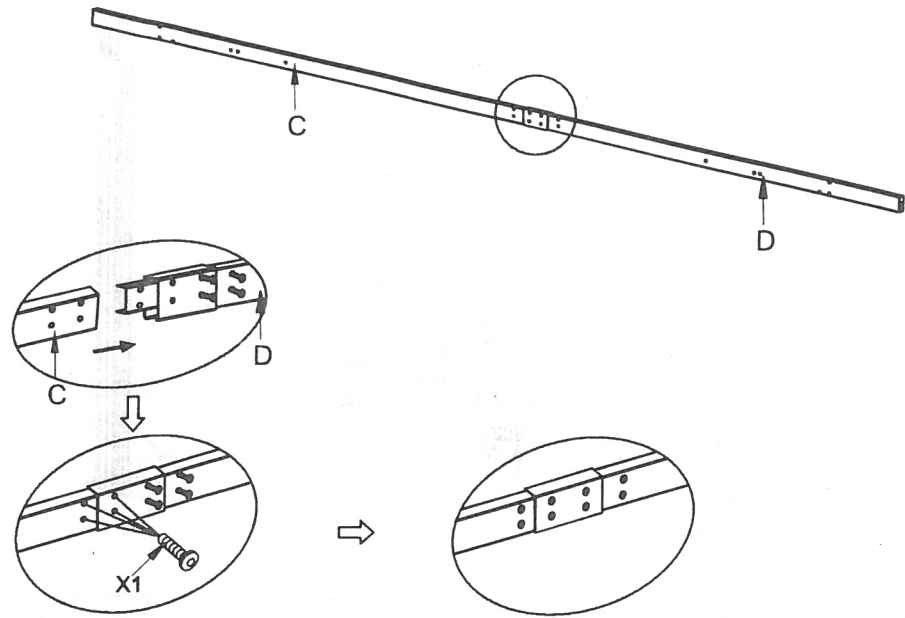
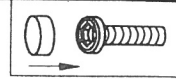
STEP 1



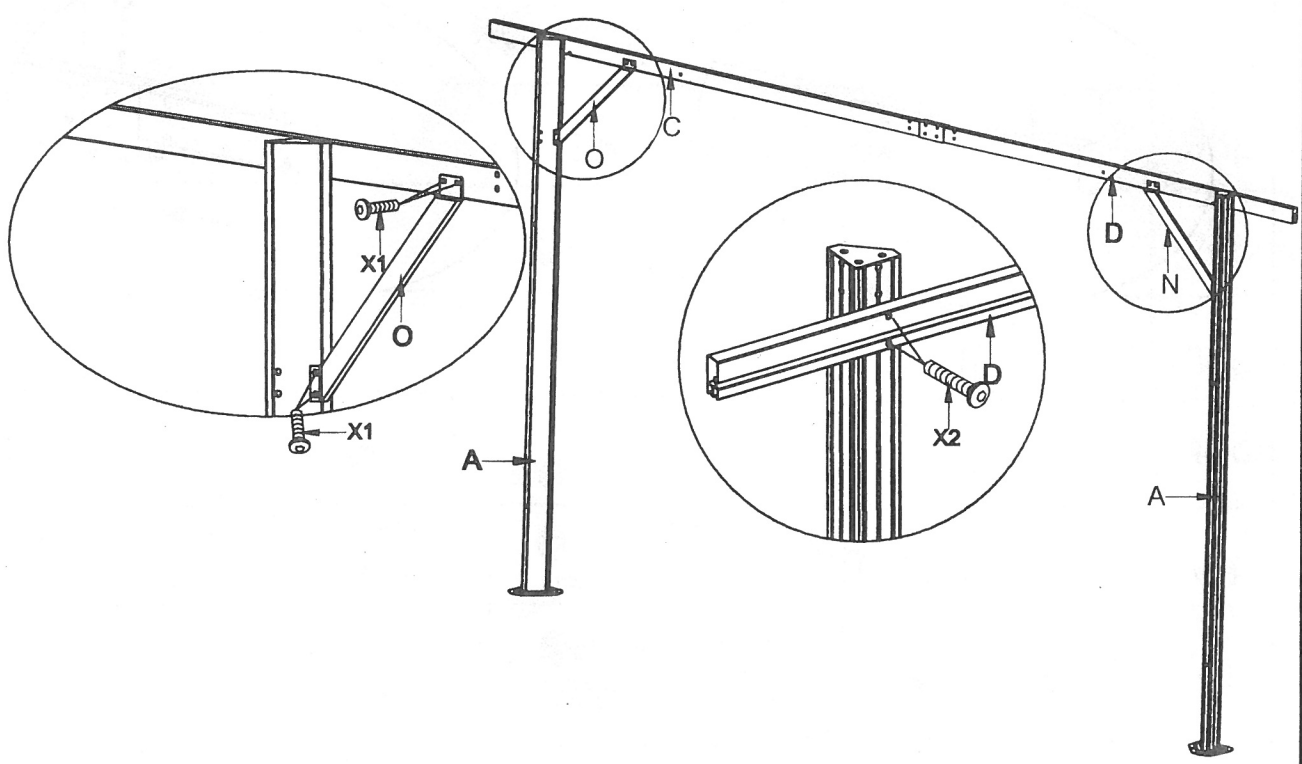
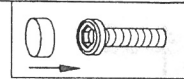
STEP 2



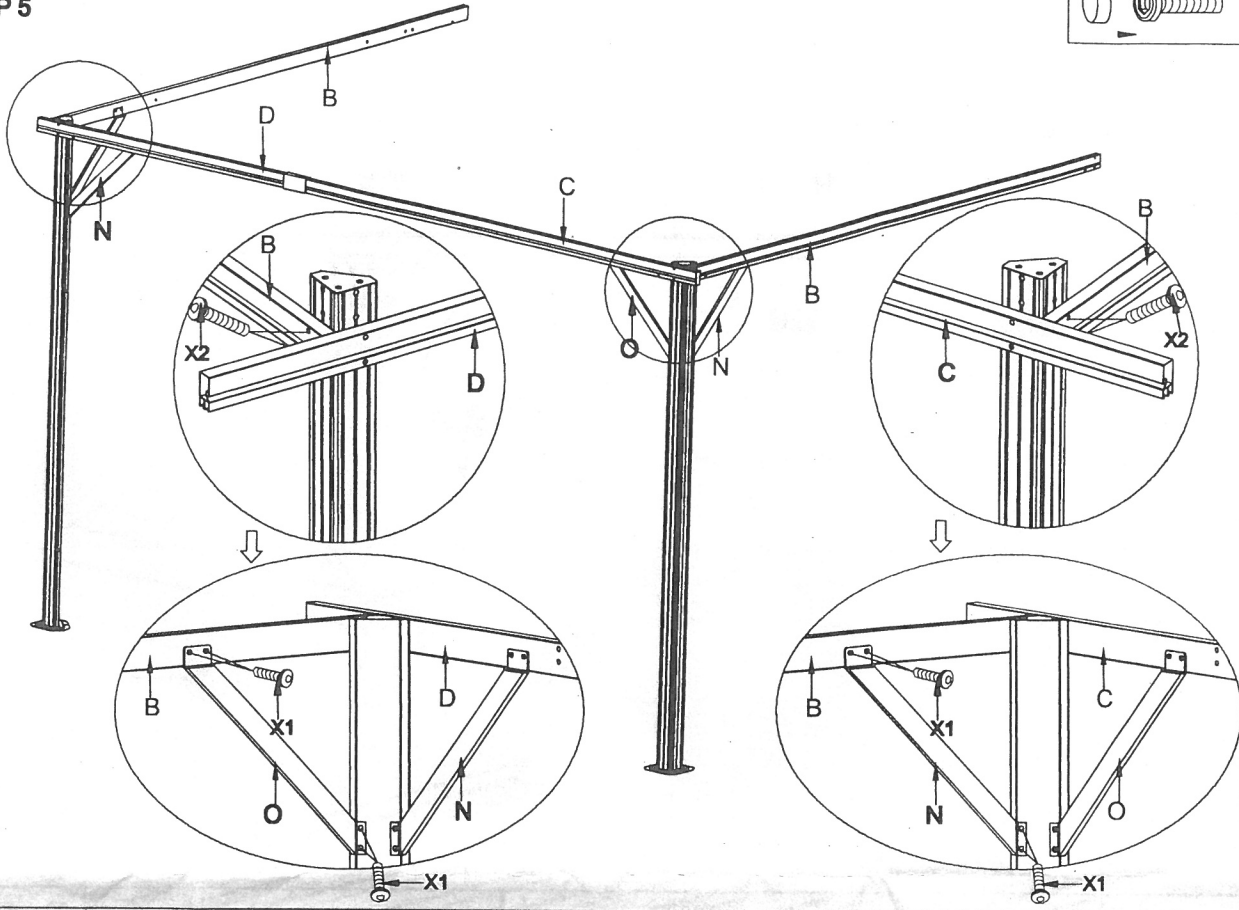
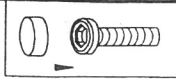
STEP 3



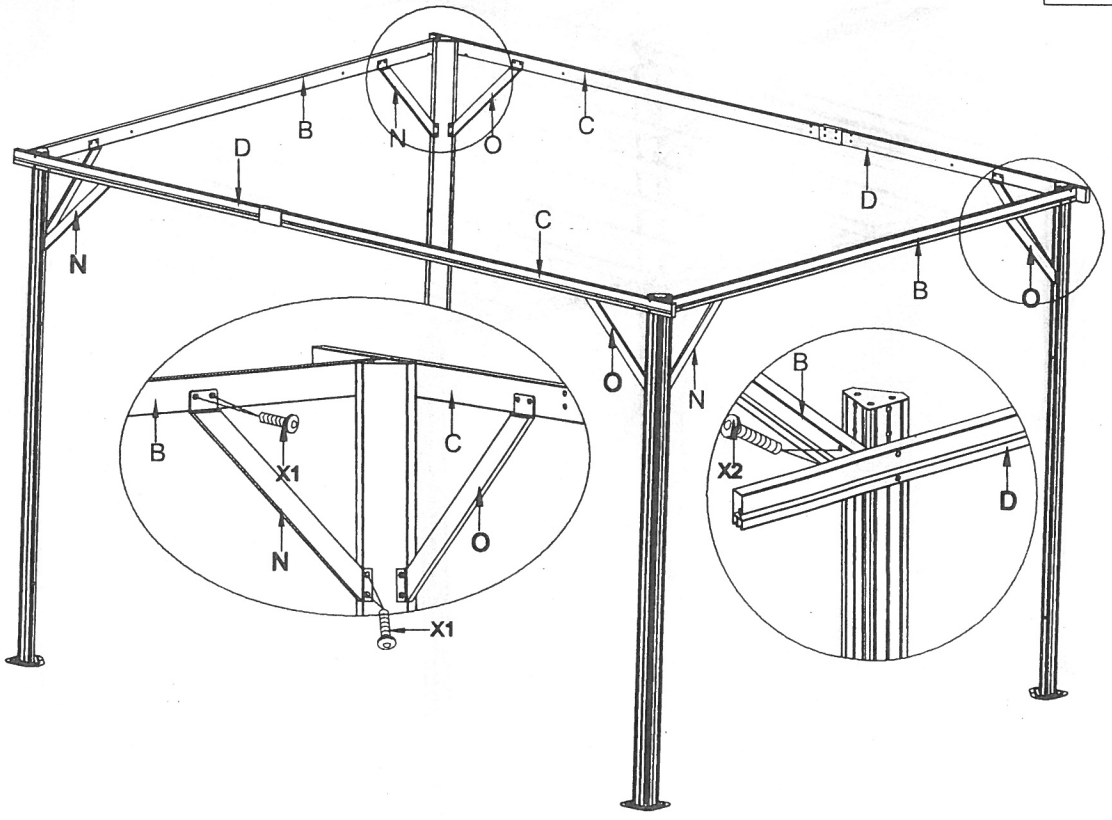
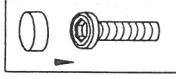
STEP 4



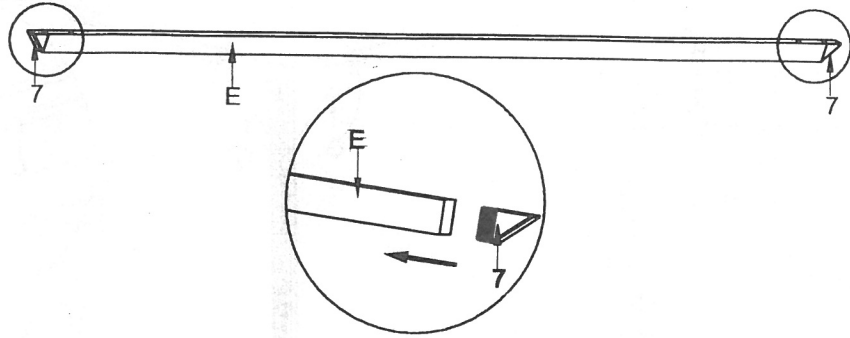
STEP 5



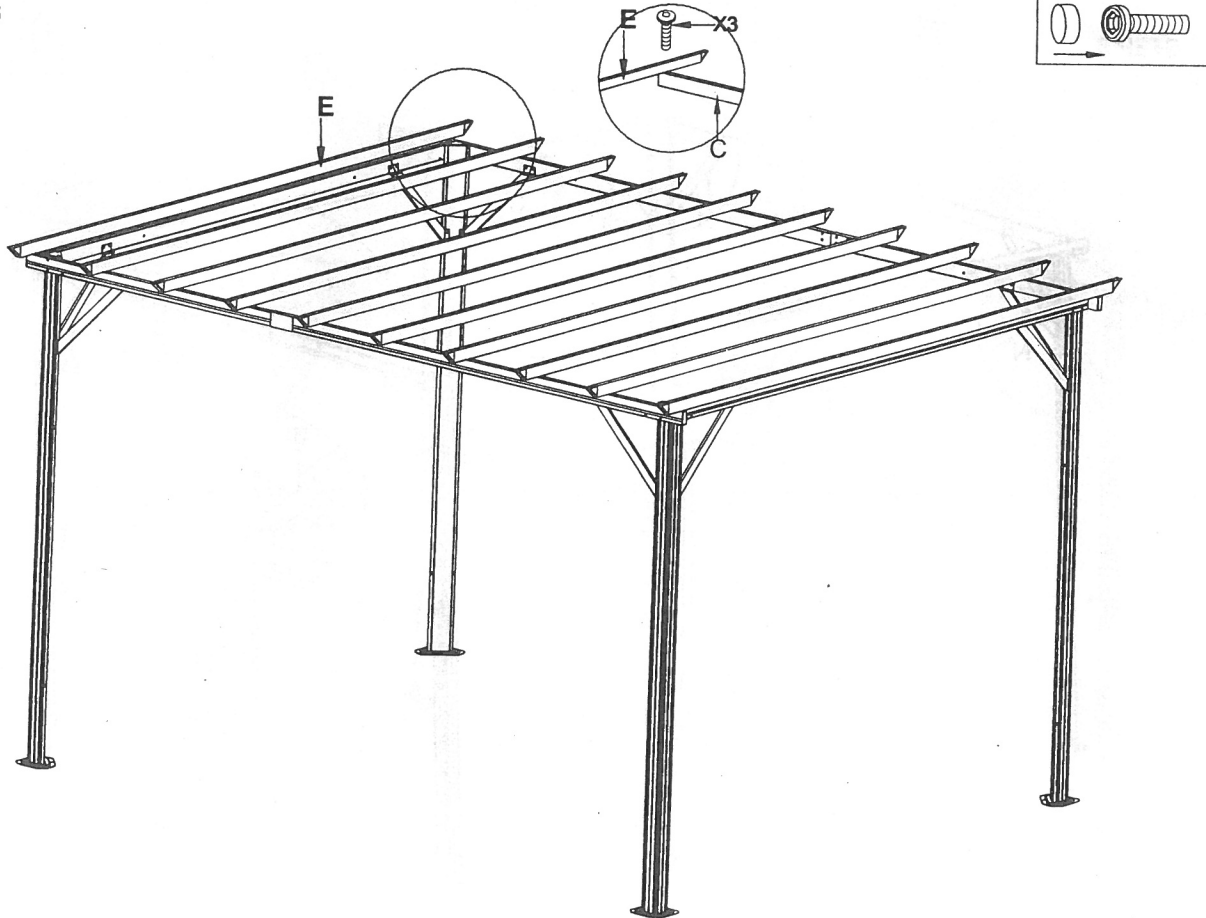
STEP 6



STEP 7



STEP 8



STEP 9

