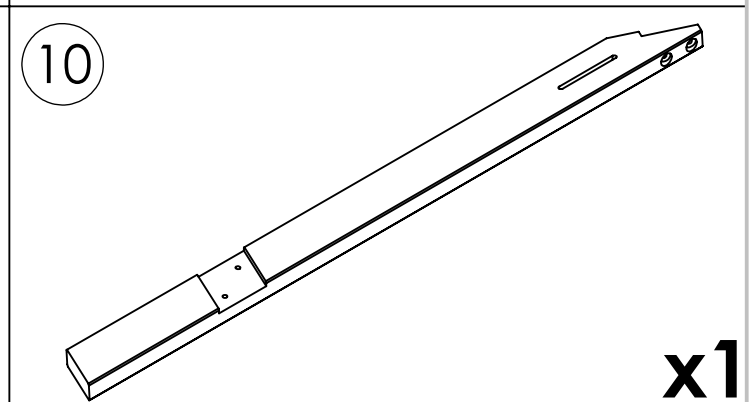
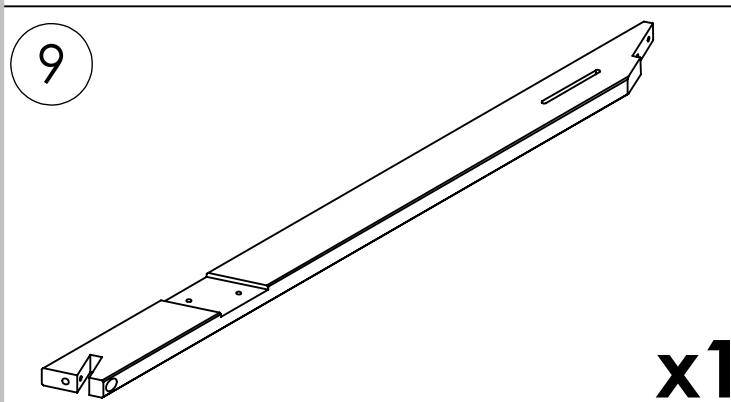
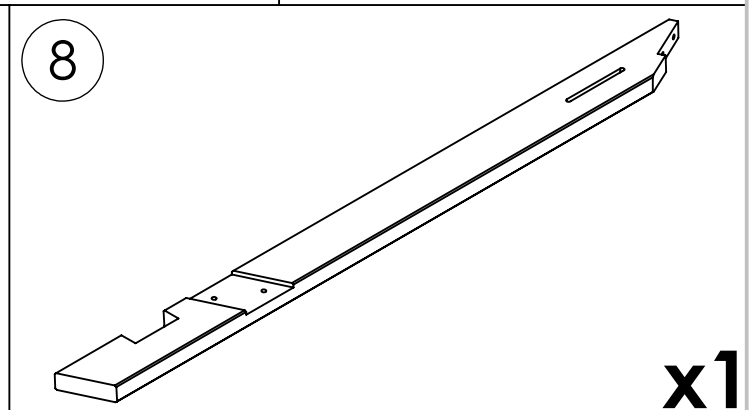
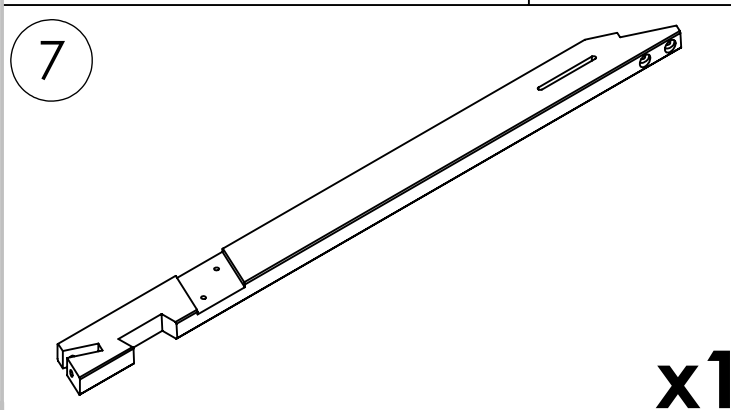
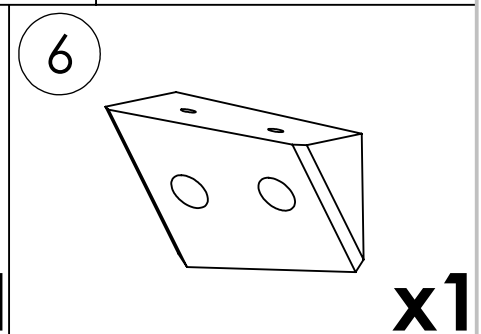
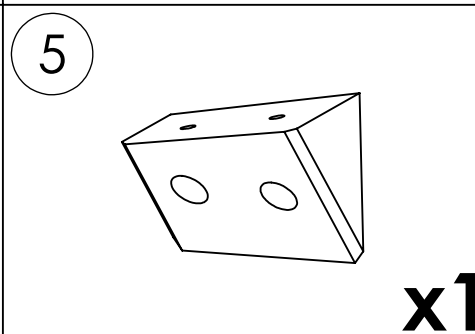
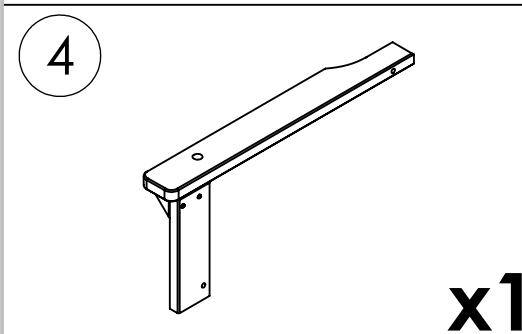
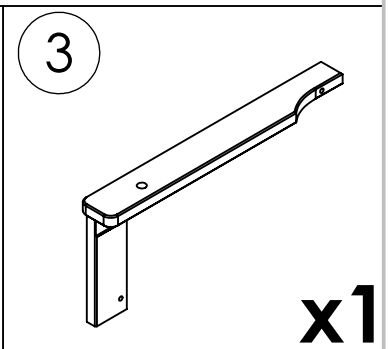
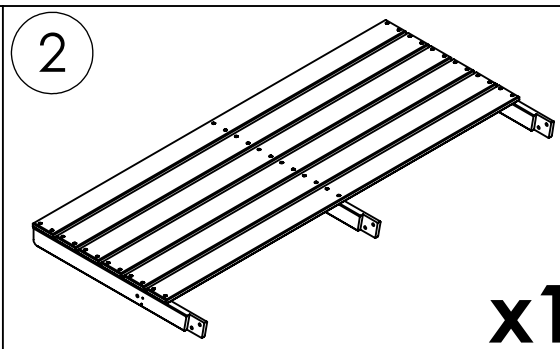
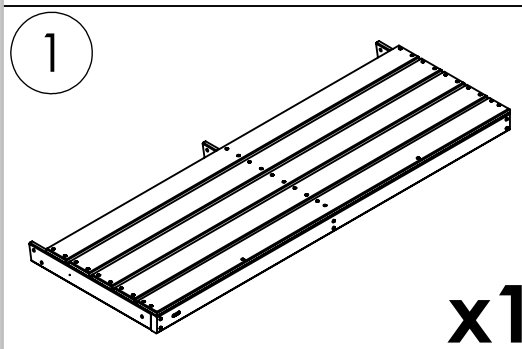
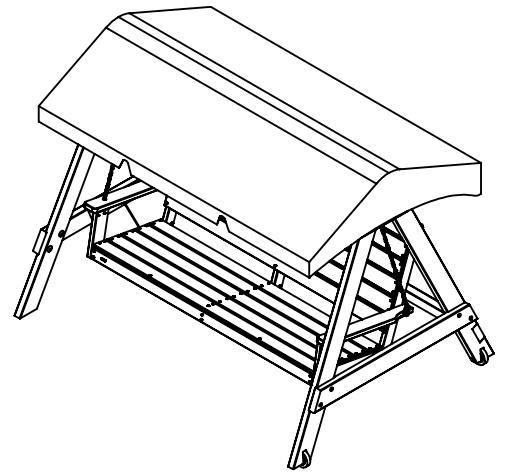
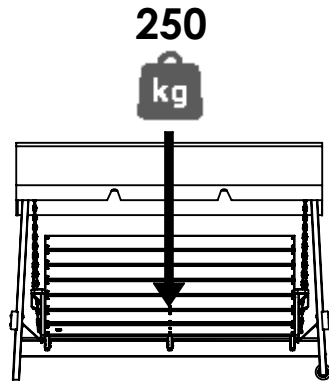
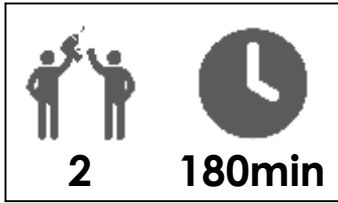
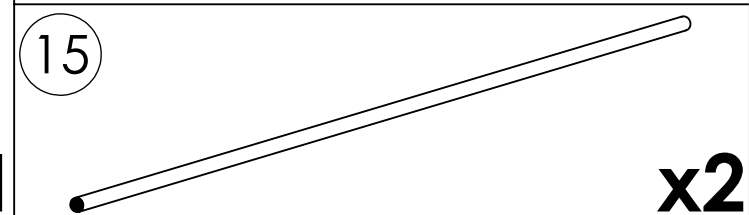
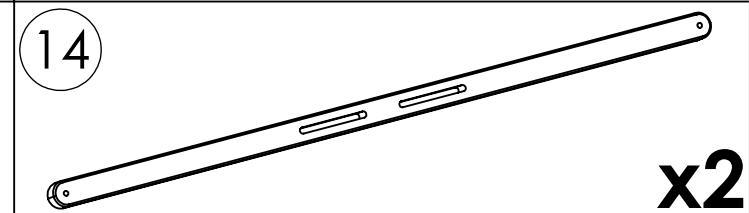
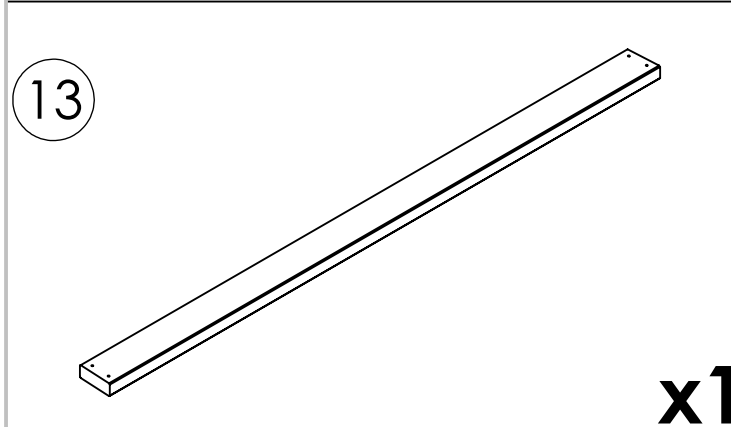
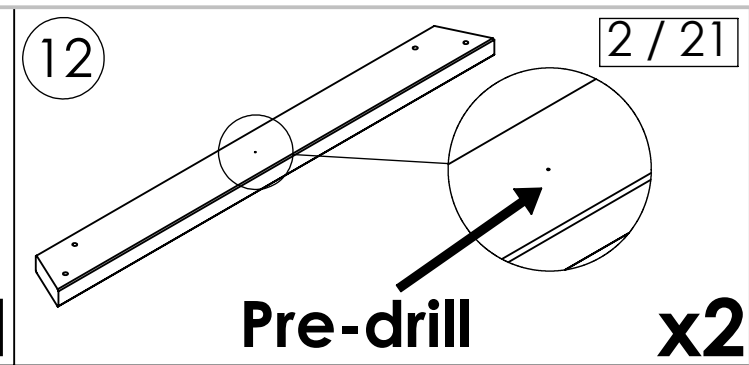
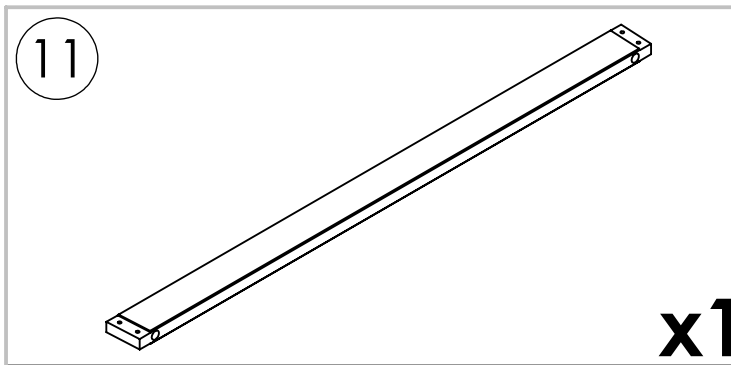


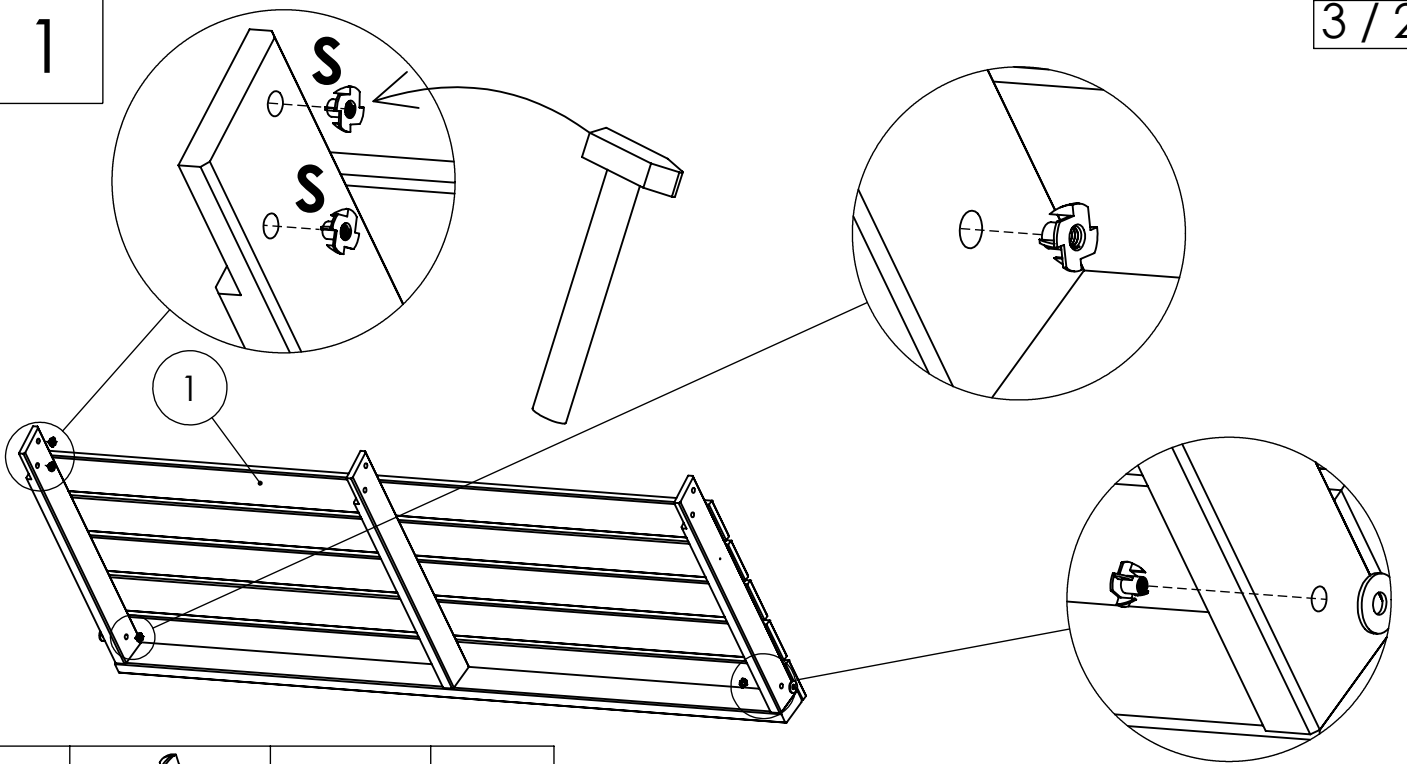
Assembly instruction





A		5x35 T	x2	T		U	
B		5x40 T	x2				
C		5x60 T	x4		x2		x2
D		5x80 T	x4	V		W	
E		M8x70	x8		x4		x2
F		M8x90	x6	X		Y	
G		M8x150	x2		x2		x8
H		M6x30	x6	Z			
I		M6x50	x4				x2
J		M6x90	x2				
K		M8x60	x2				
L		M8x90	x2			AB	
M		M8x100	x2				Canopy x1
N		M8	x24				
O		M8	x2				13mm
P		M8	x12				TORX
Q		M8	x2				
R		M8	x4				
S		M8	x10				4mm

1



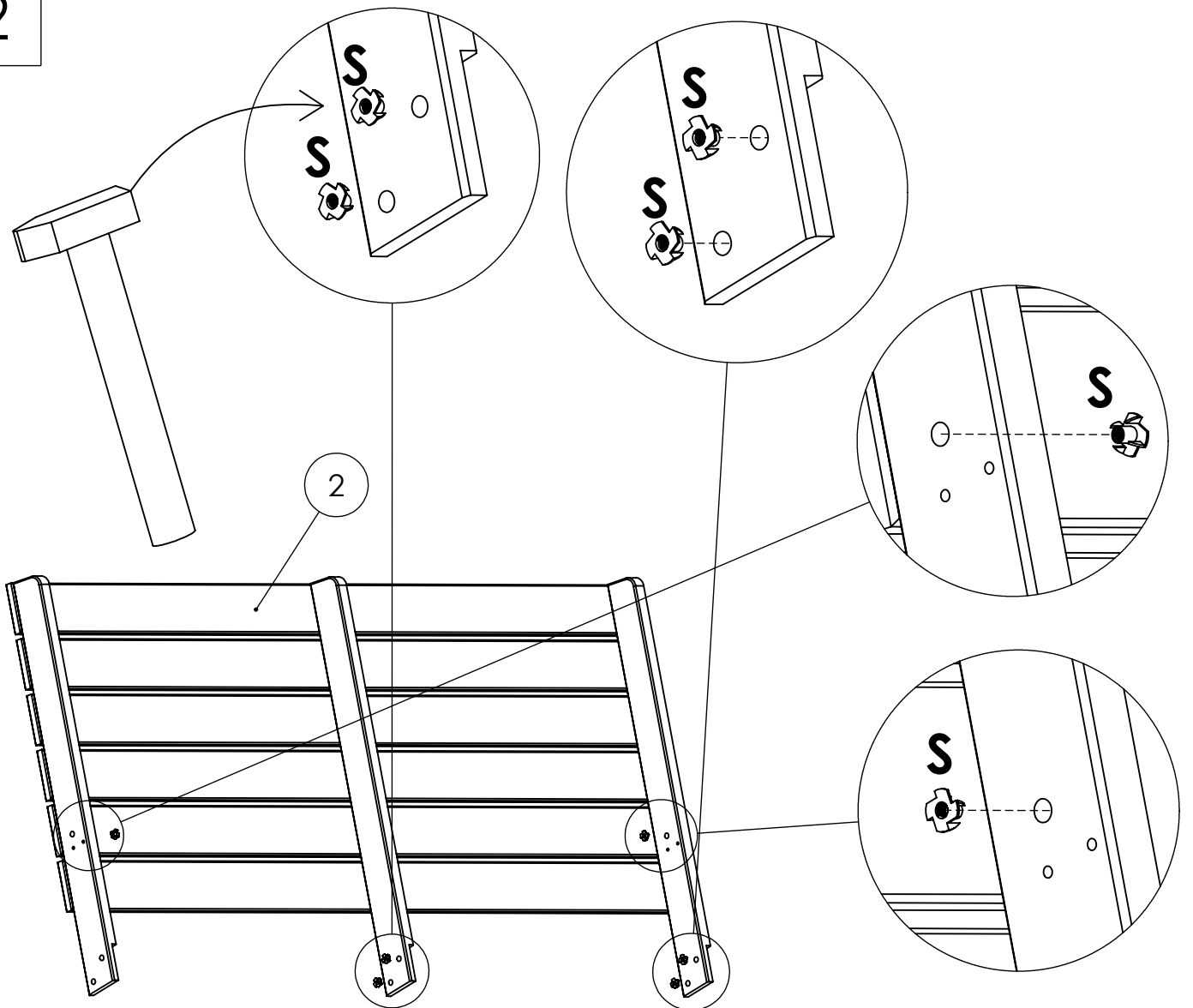
S



M8

x4

2

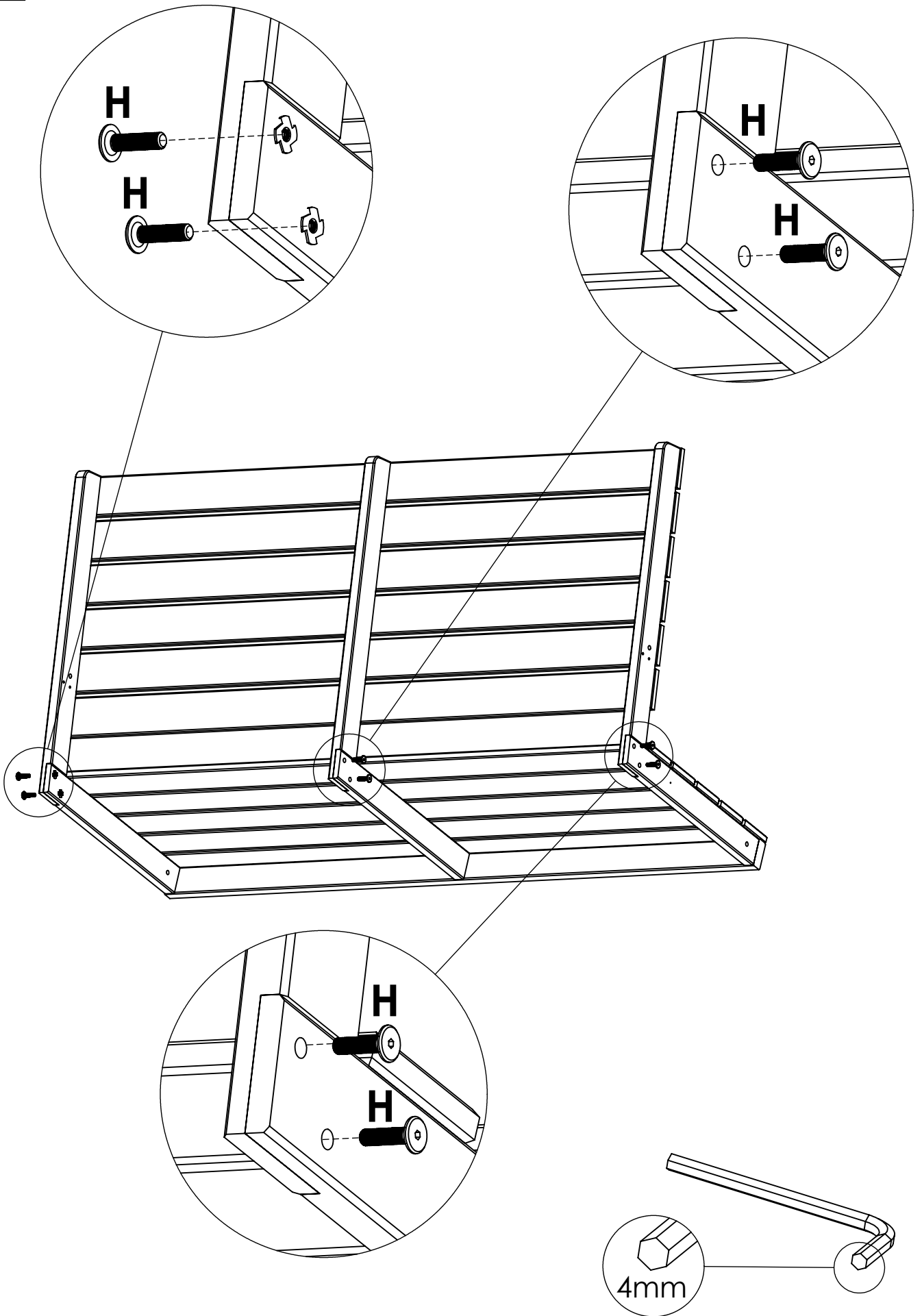



S



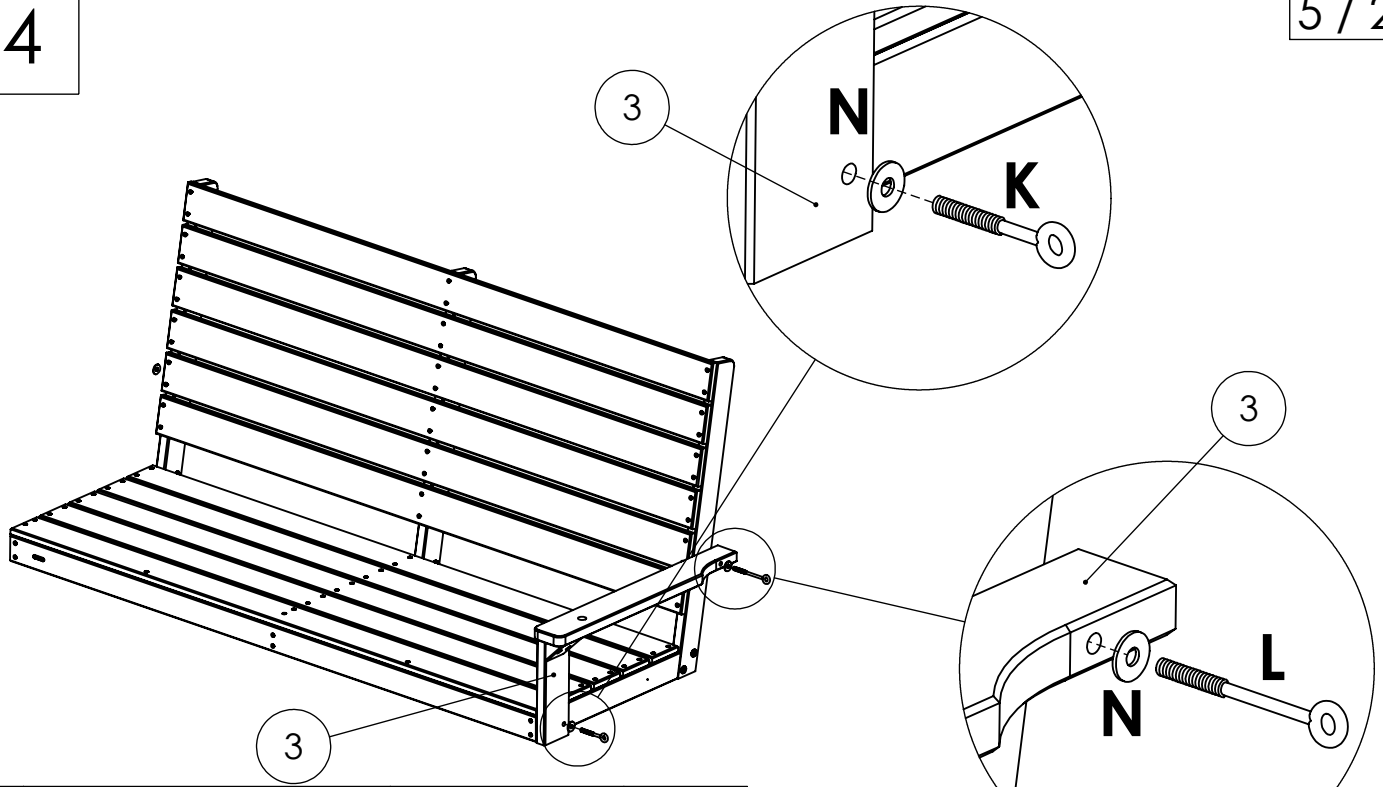
M8

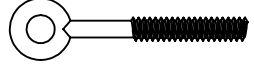
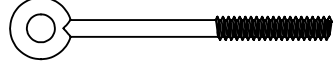

x6



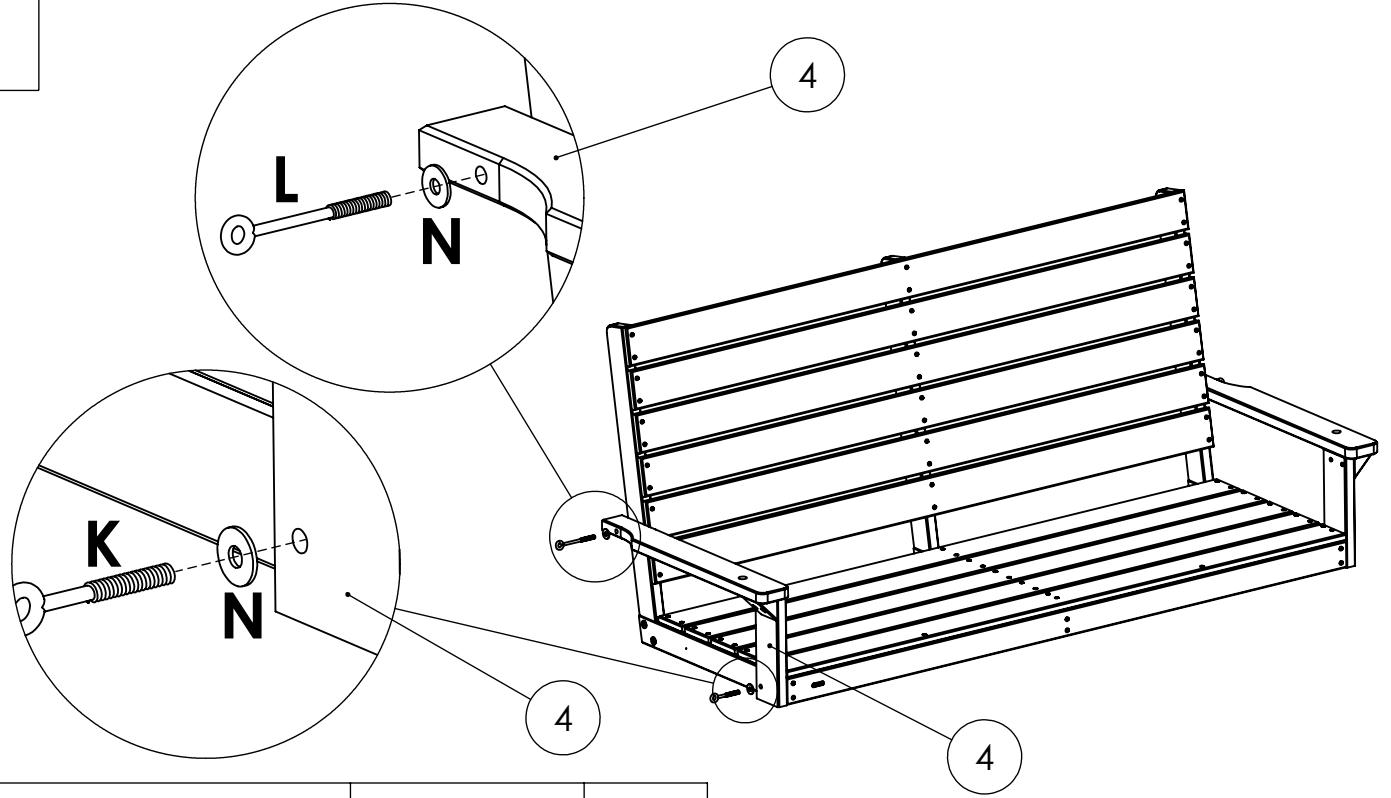
H		M6x30	x6
----------	---	--------------	-----------

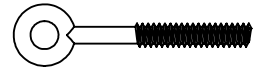
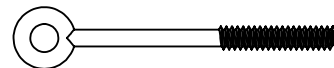

4



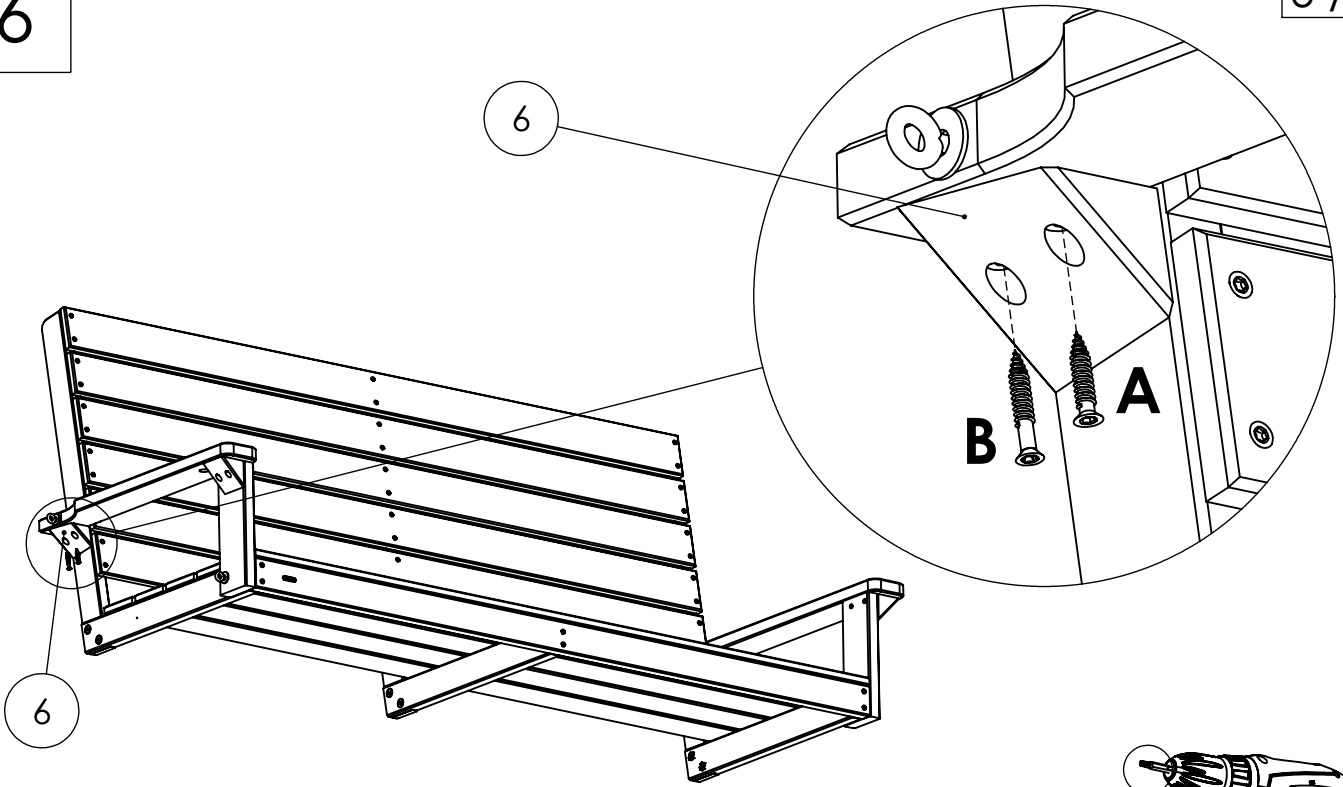
K		M8x60	x1
L		M8x90	x1
N		M8	x2





5

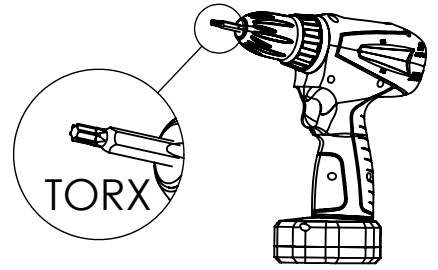


K		M8x60	x1
L		M8x90	x1
N		M8	x2

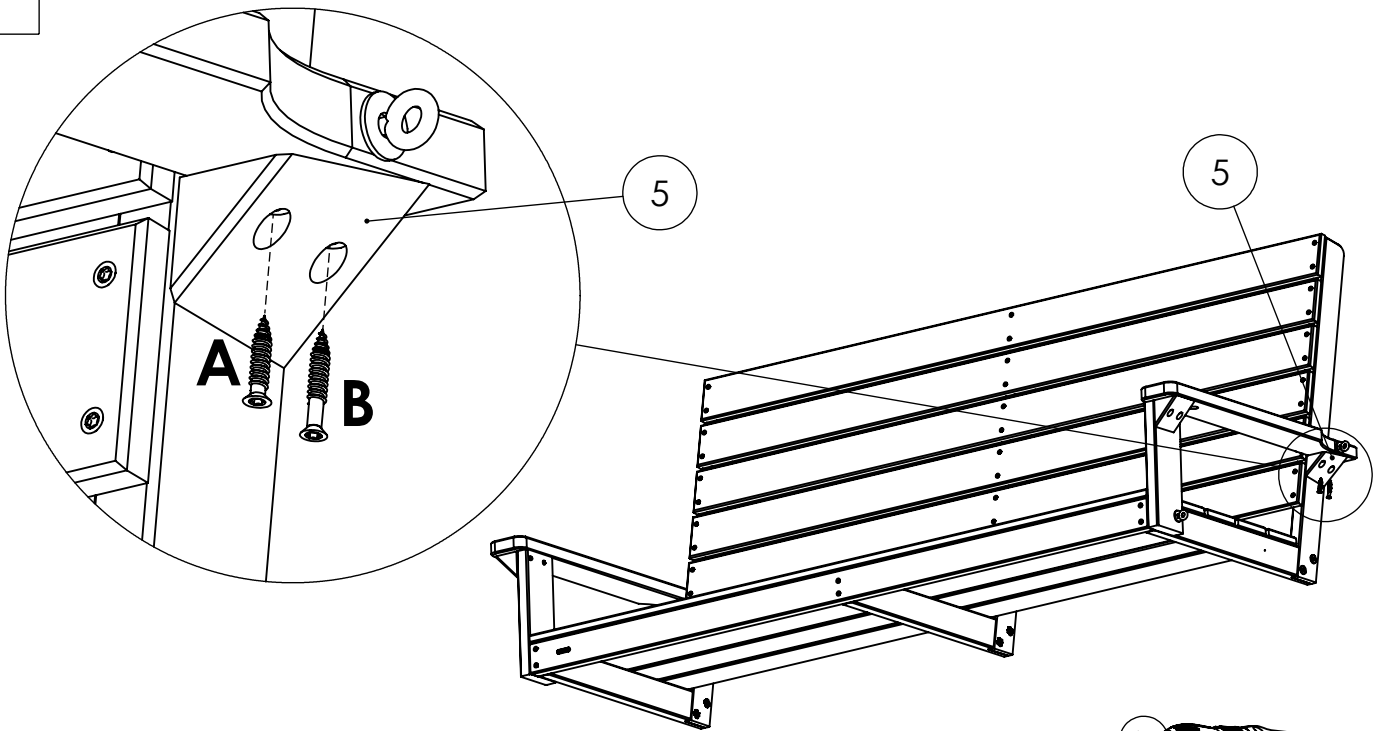
6







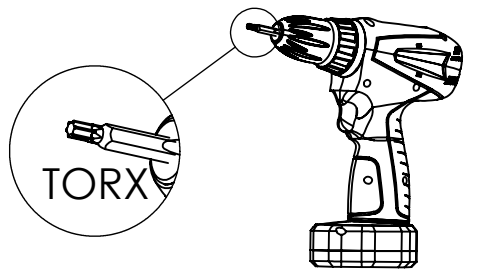
A			5x35 T	x1
B			5x40 T	x1



7

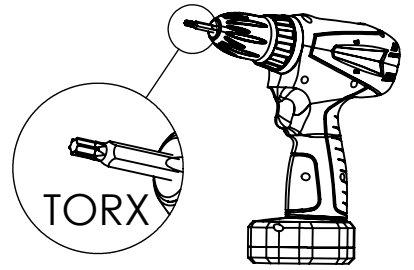
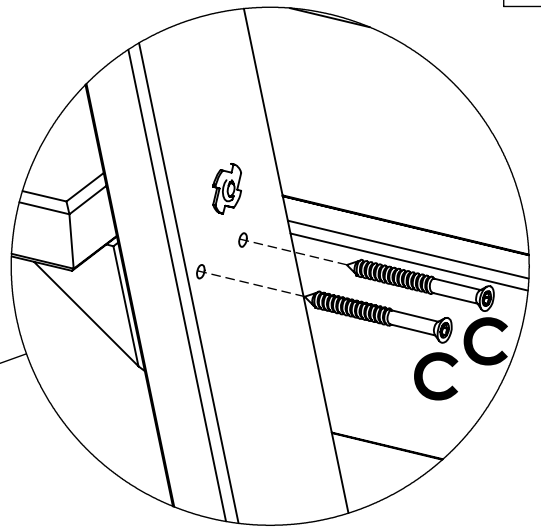
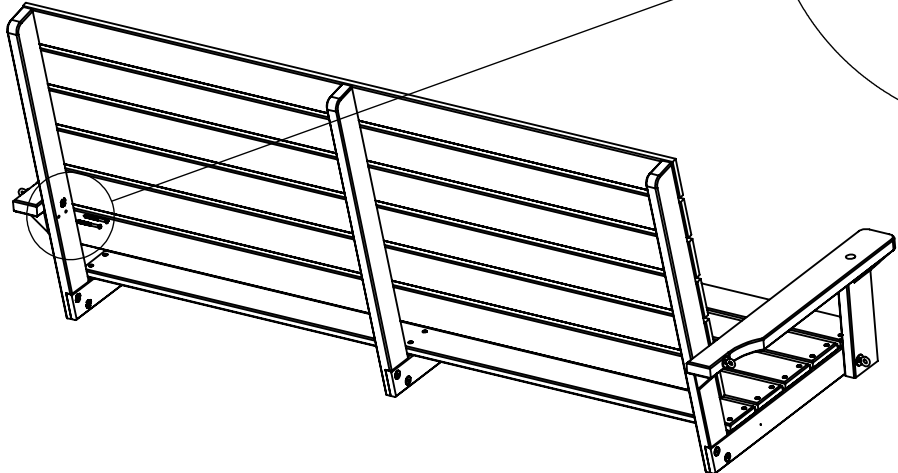



A			5x35 T	x1
B			5x40 T	x1



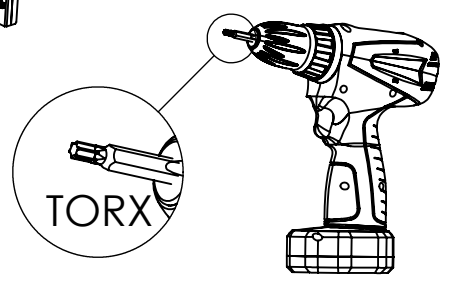
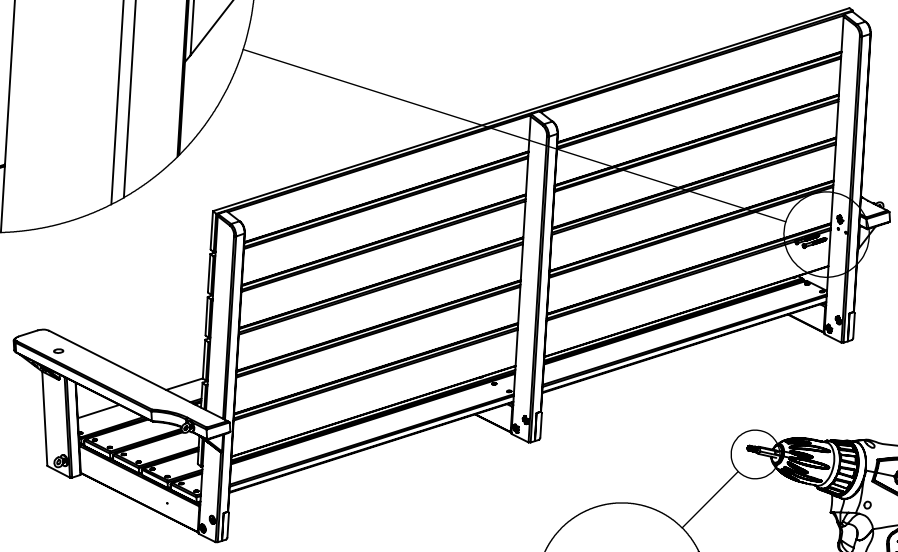
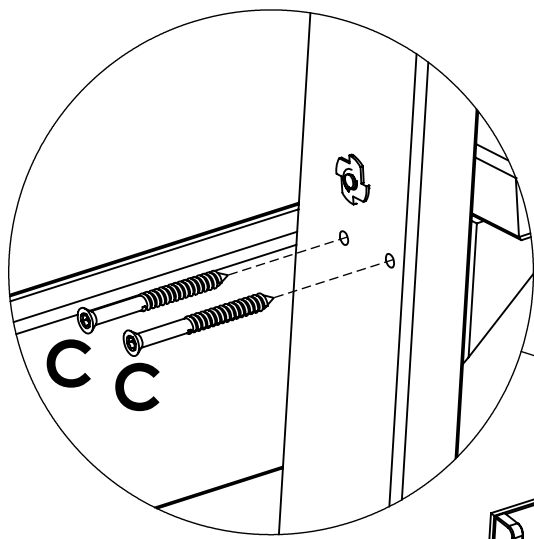
8


7 / 21



C		5x60 T	x2
----------	---	---------------	-----------

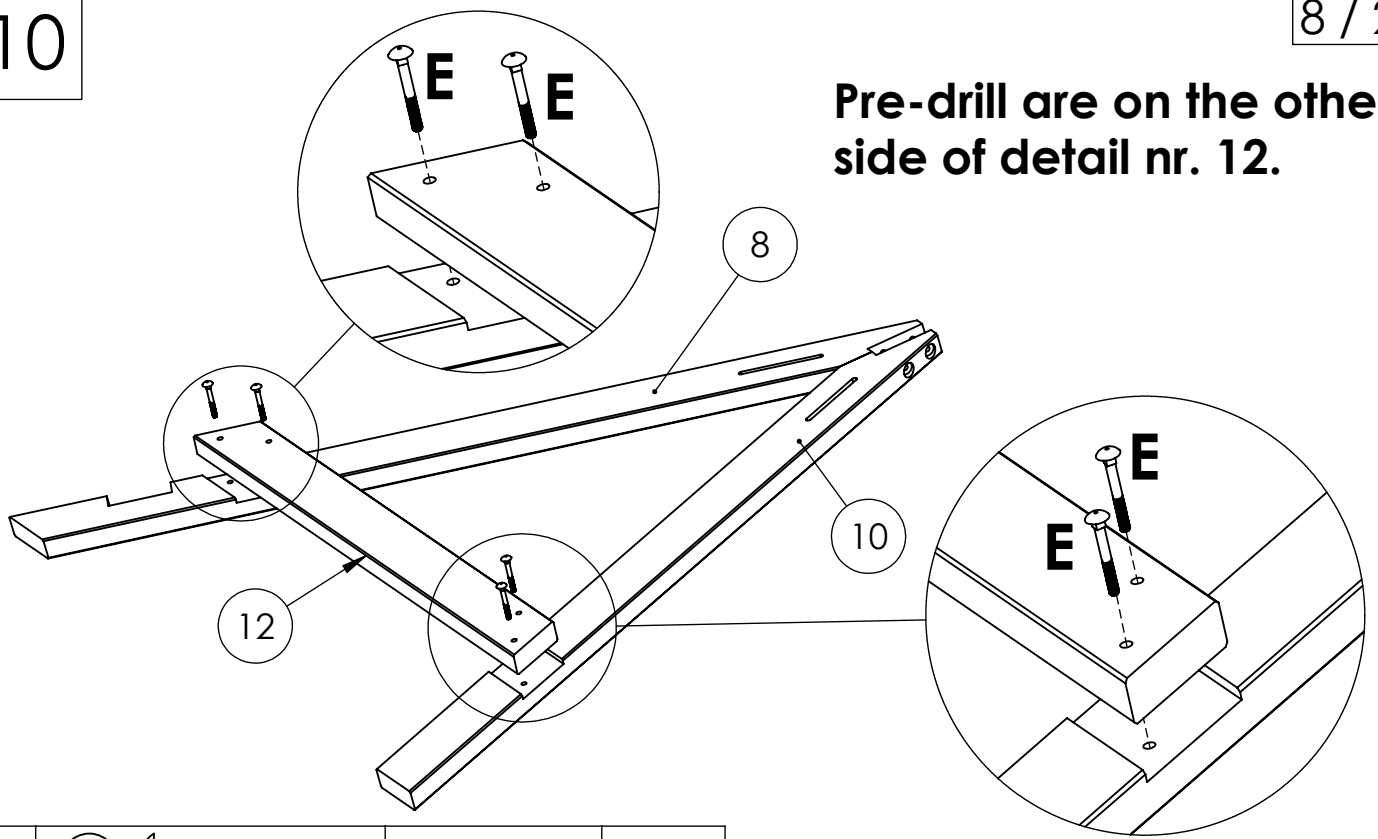
9



C		5x60 T	x2
----------	---	---------------	-----------

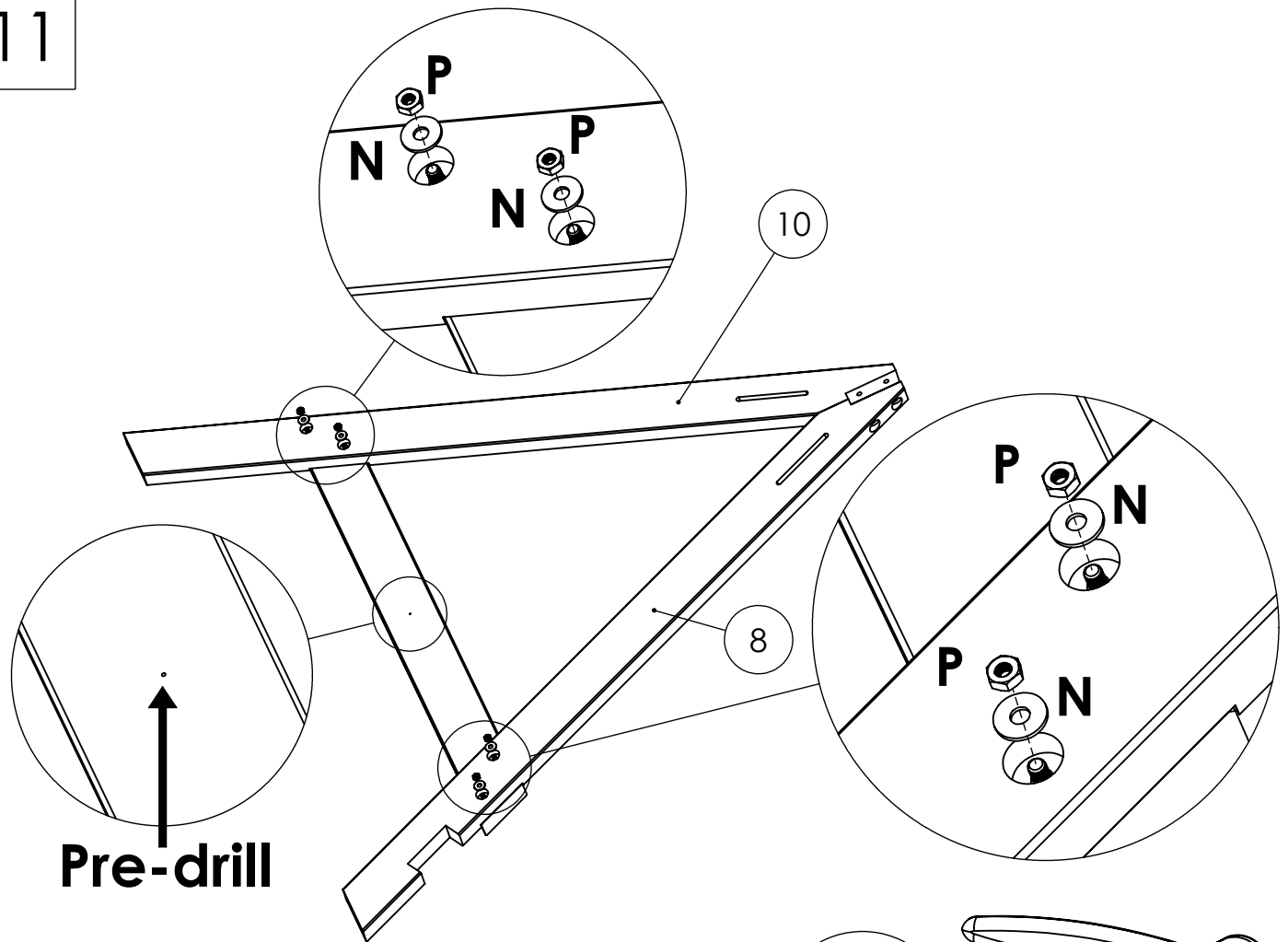
10

Pre-drill are on the other side of detail nr. 12.





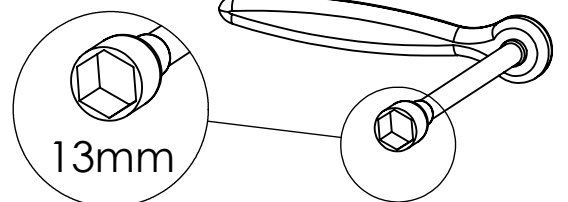
E		M8x70	x4
---	---	-------	----

11



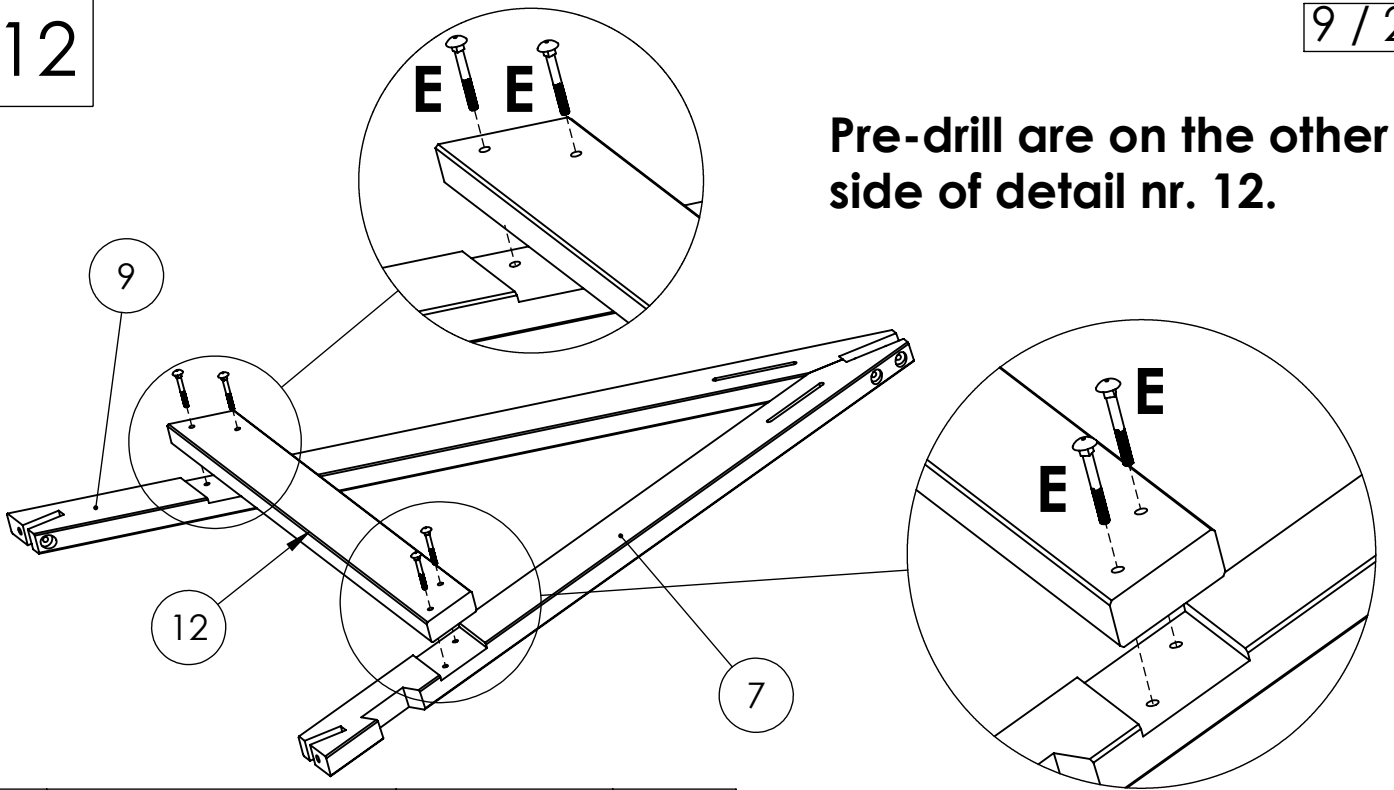
Pre-drill

N		M8	x4
P		M8	x4



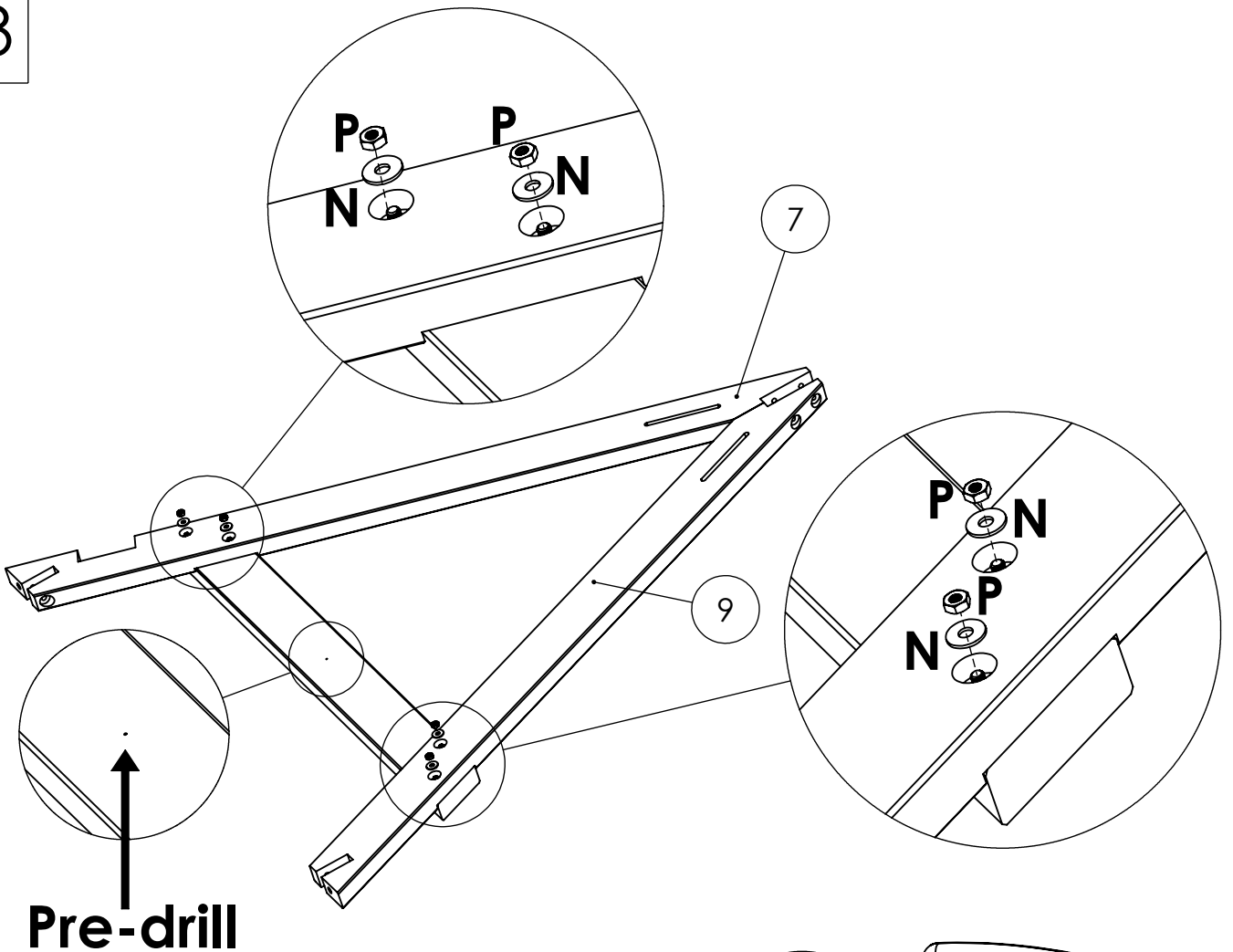
12


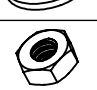
Pre-drill are on the other side of detail nr. 12.

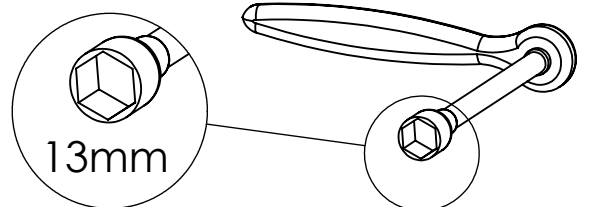


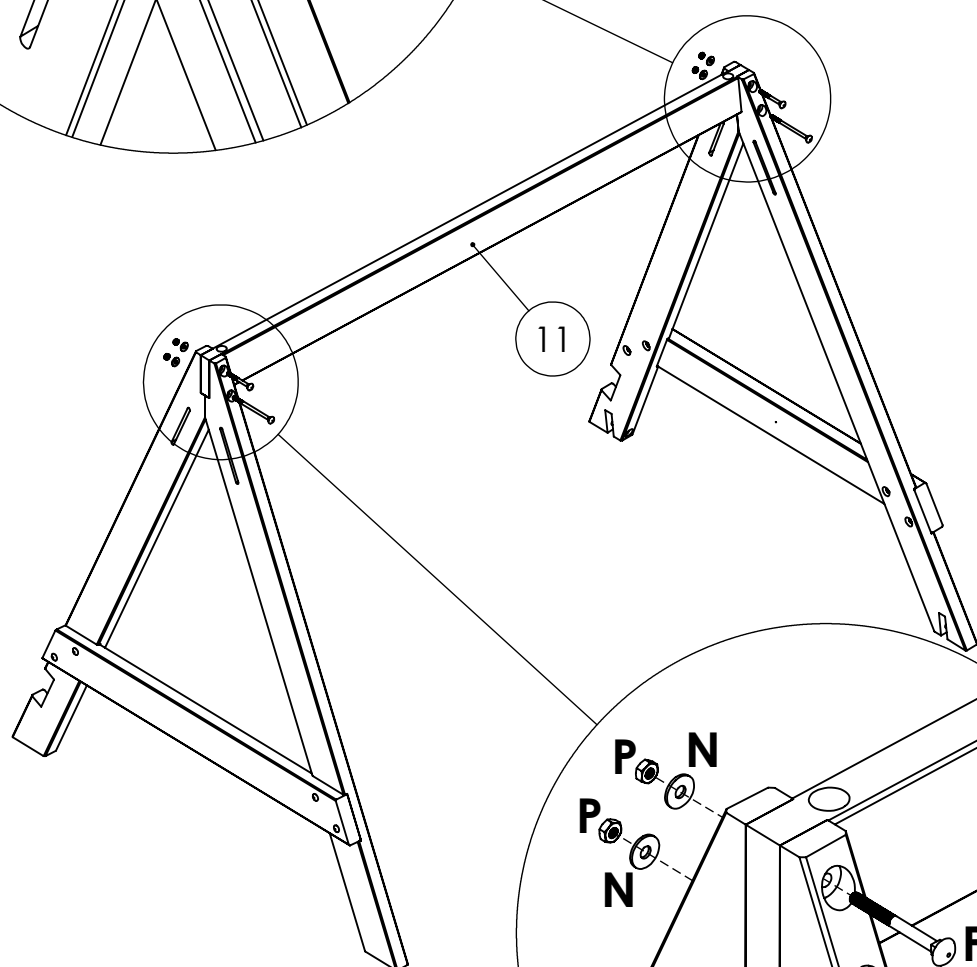
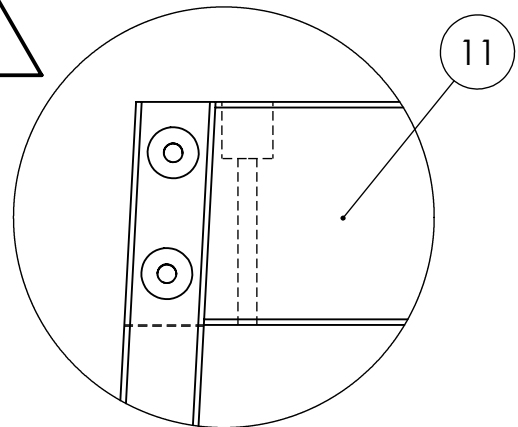
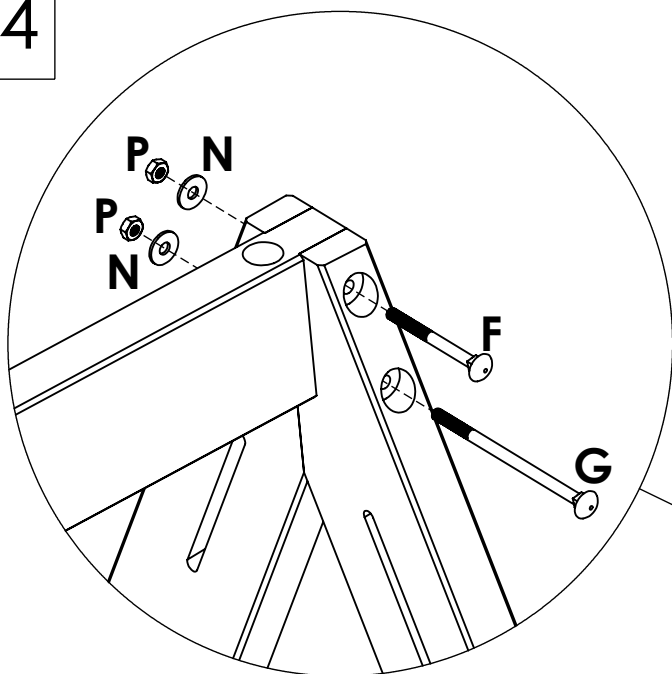
E		M8x70	x4
---	---	-------	----

13

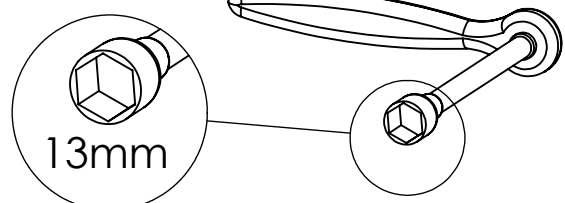
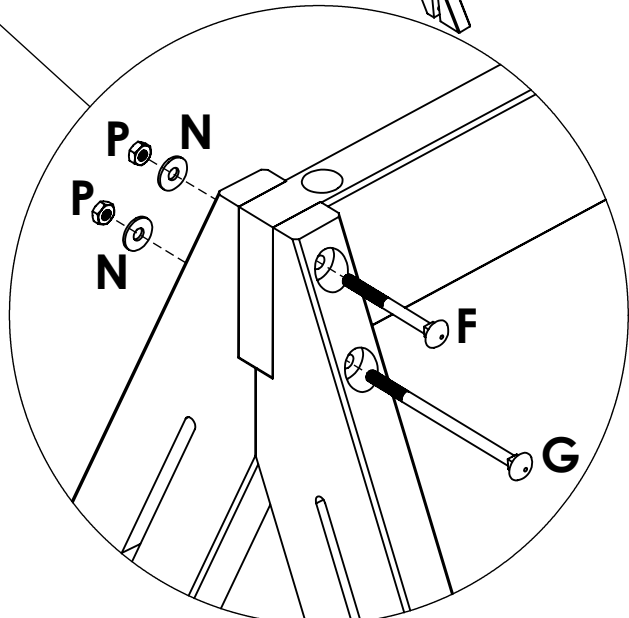


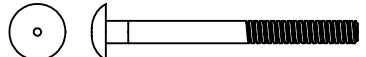
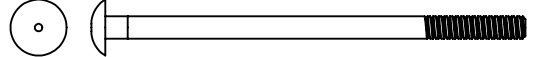


N		M8	x4
P		M8	x4

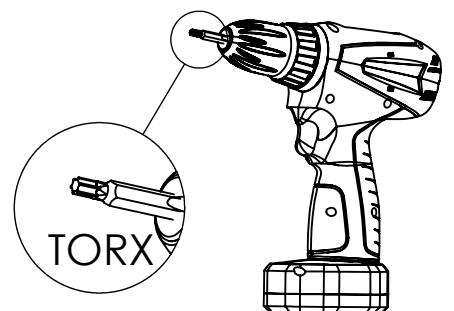
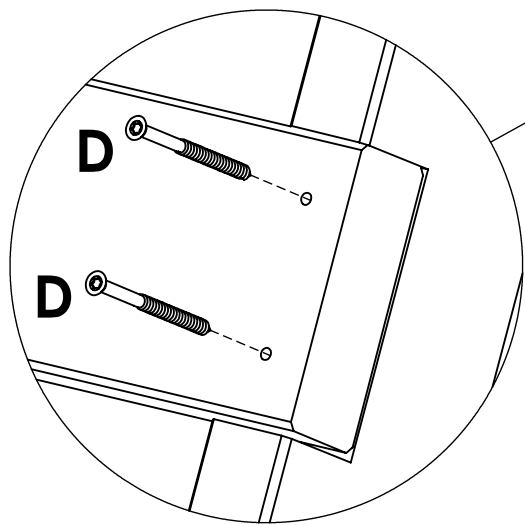
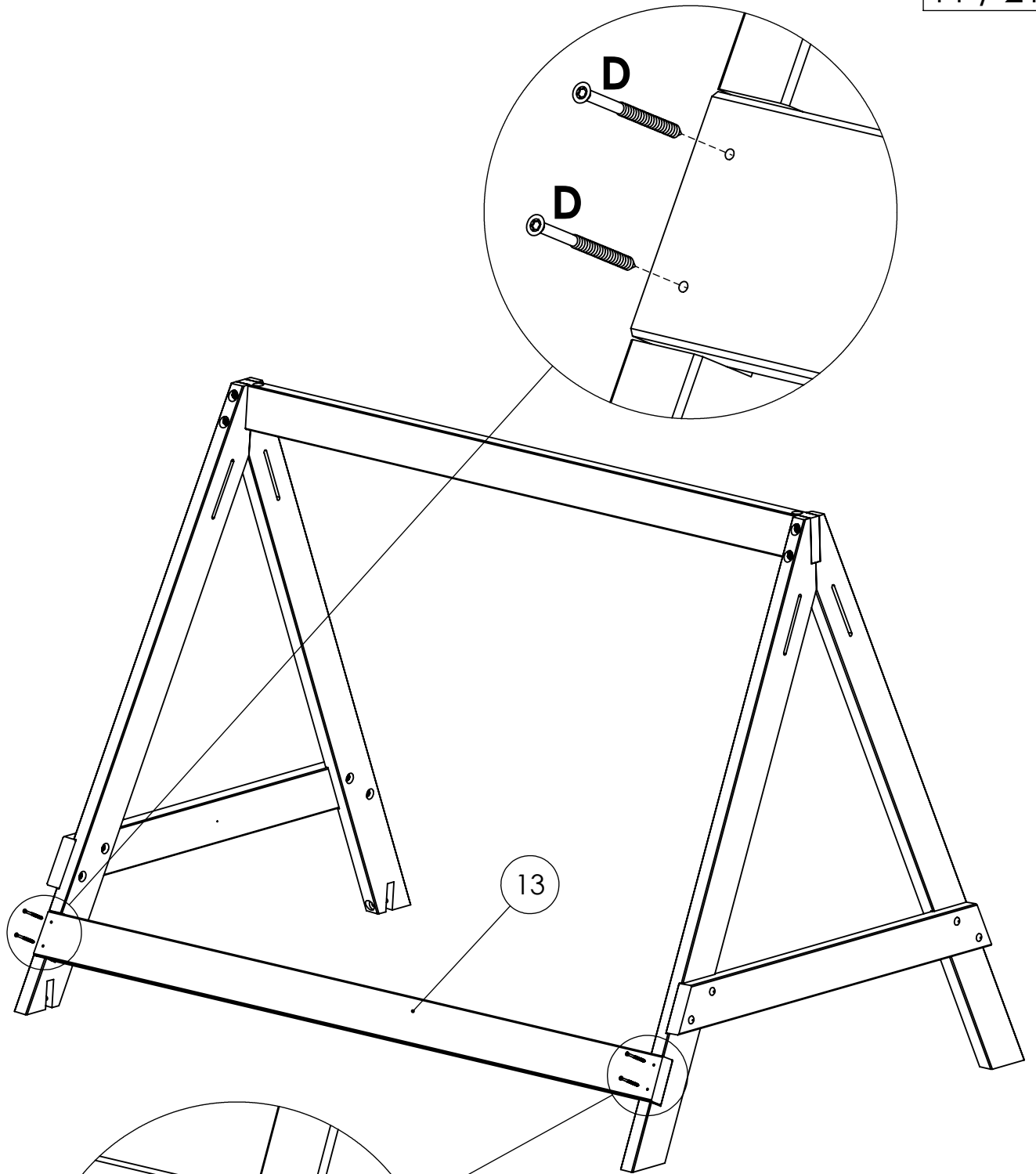




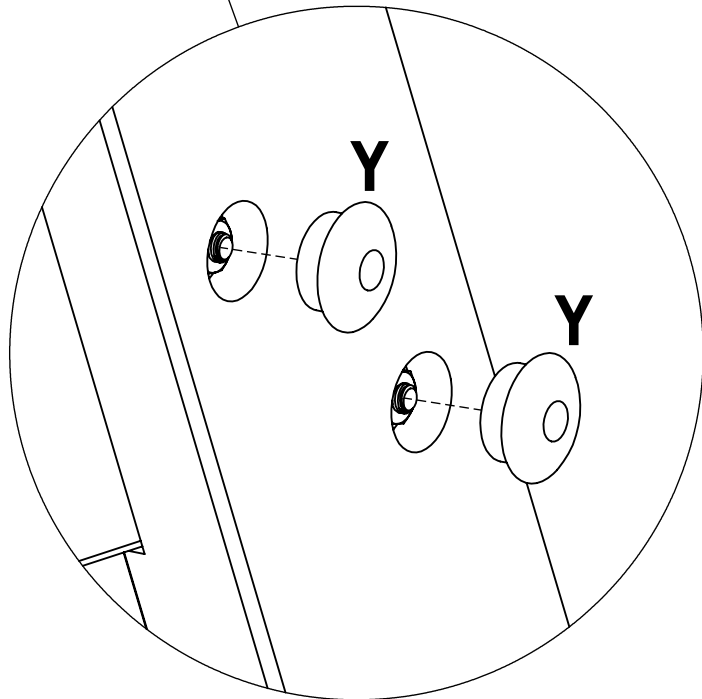
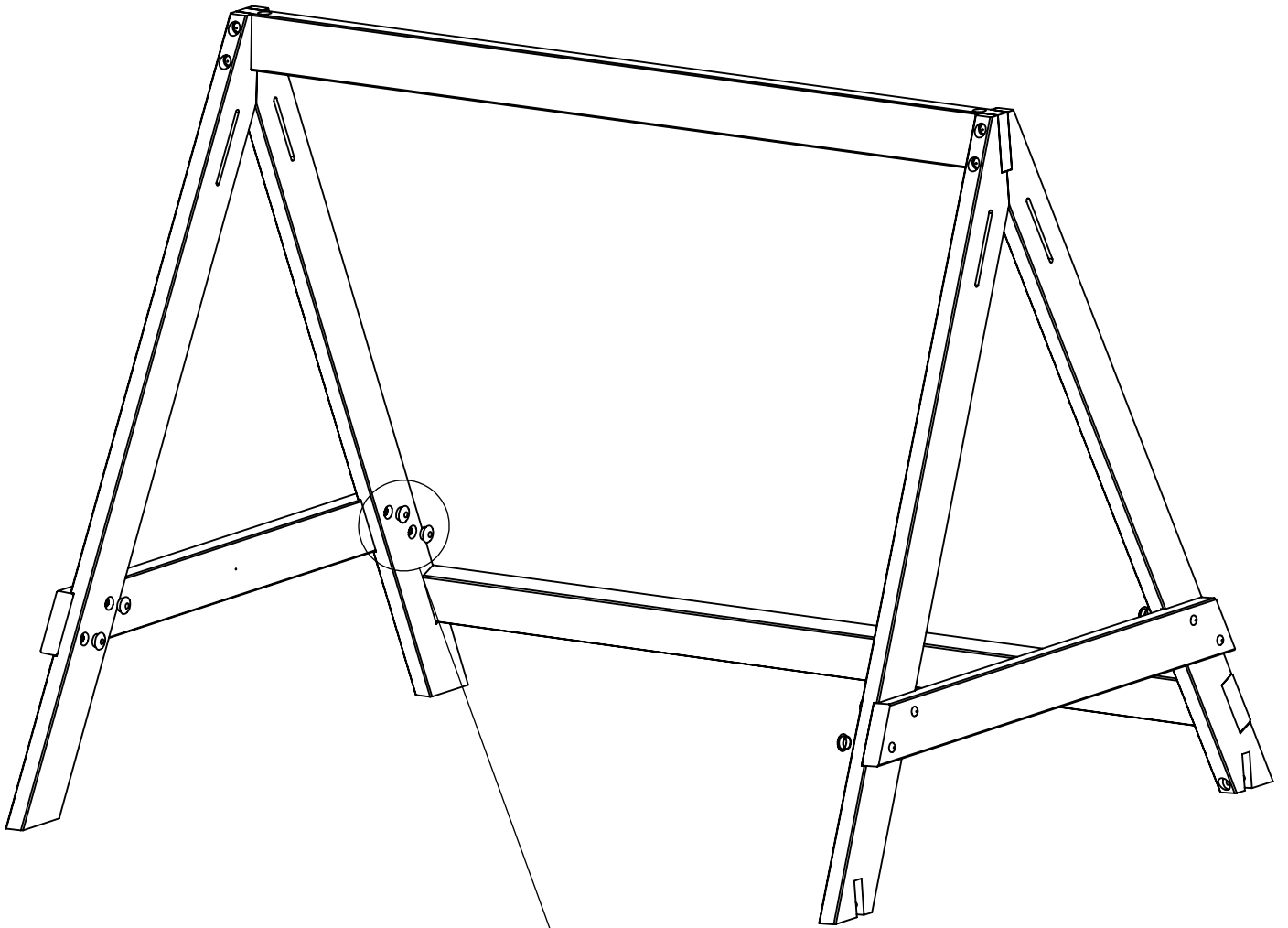
11



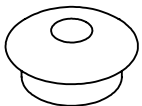
F		M8x90	x2
G		M8x150	x2
N		M8	x4
P		M8	x4



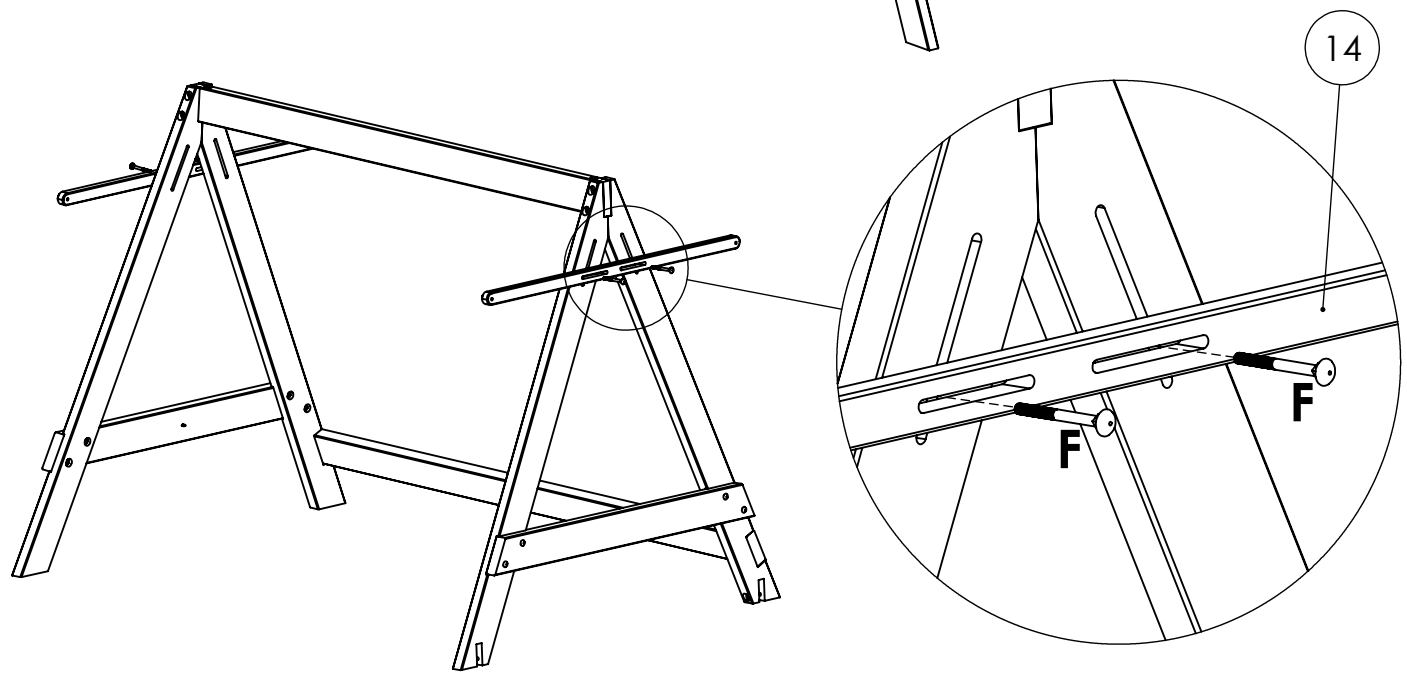
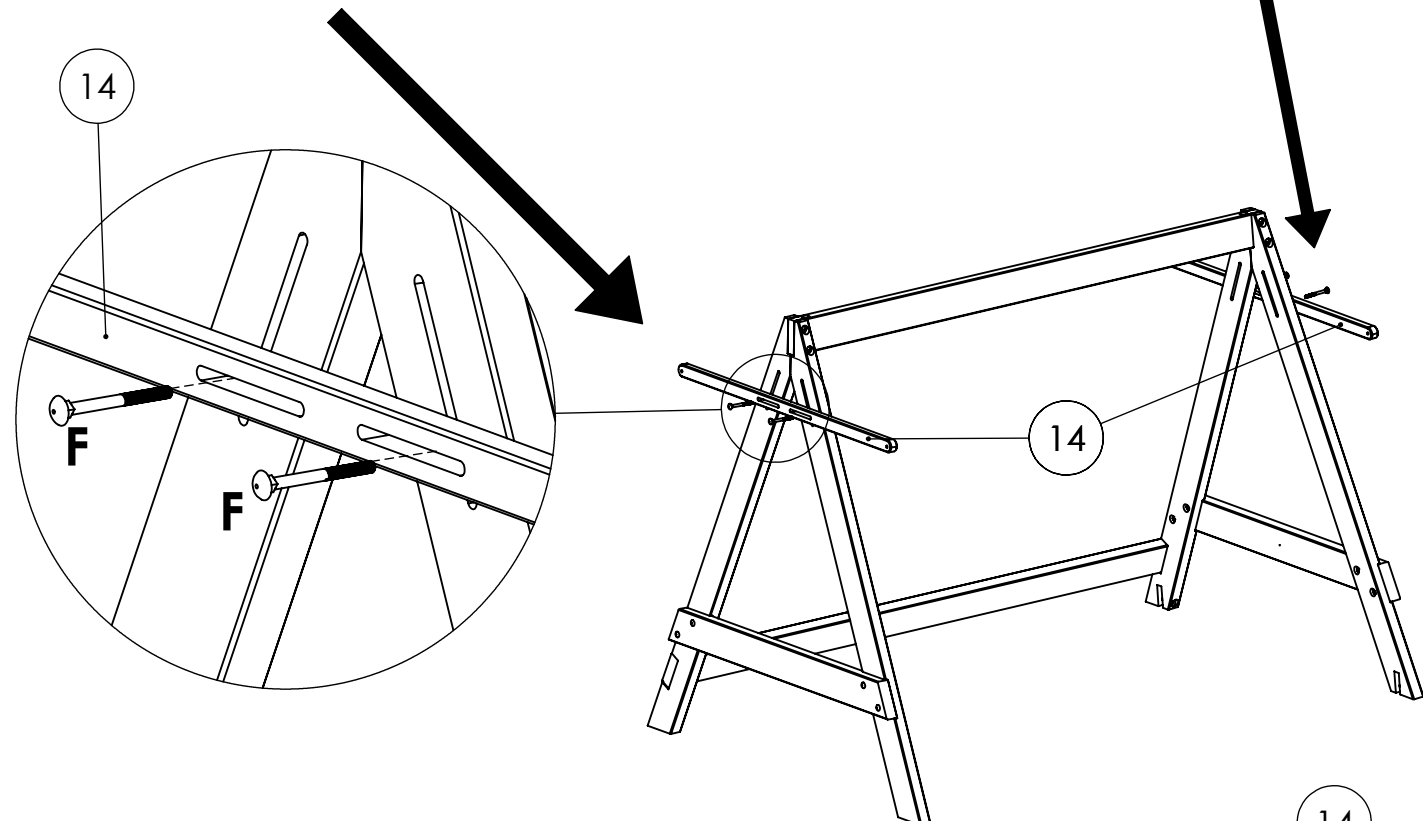
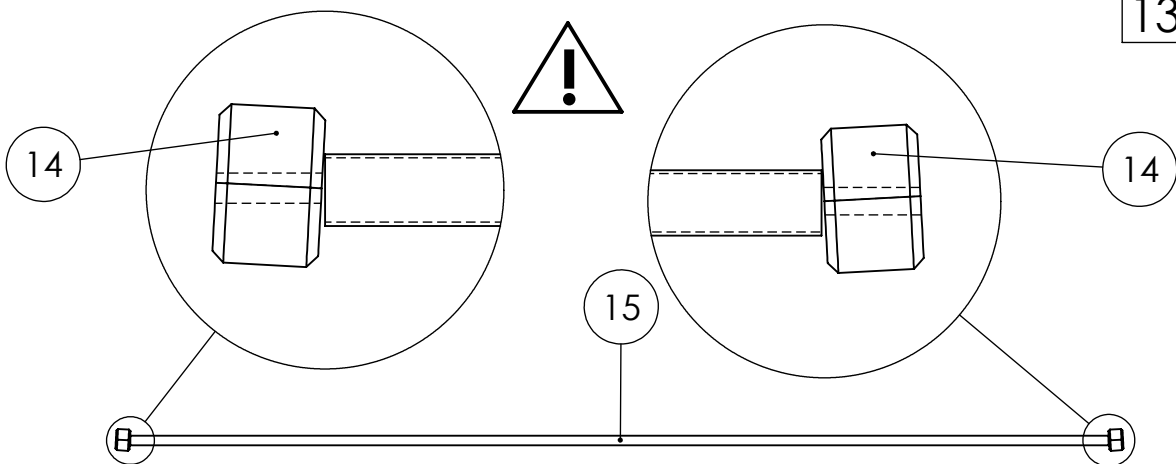
D			5x80 T	x4
----------	---	---	---------------	-----------

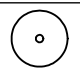



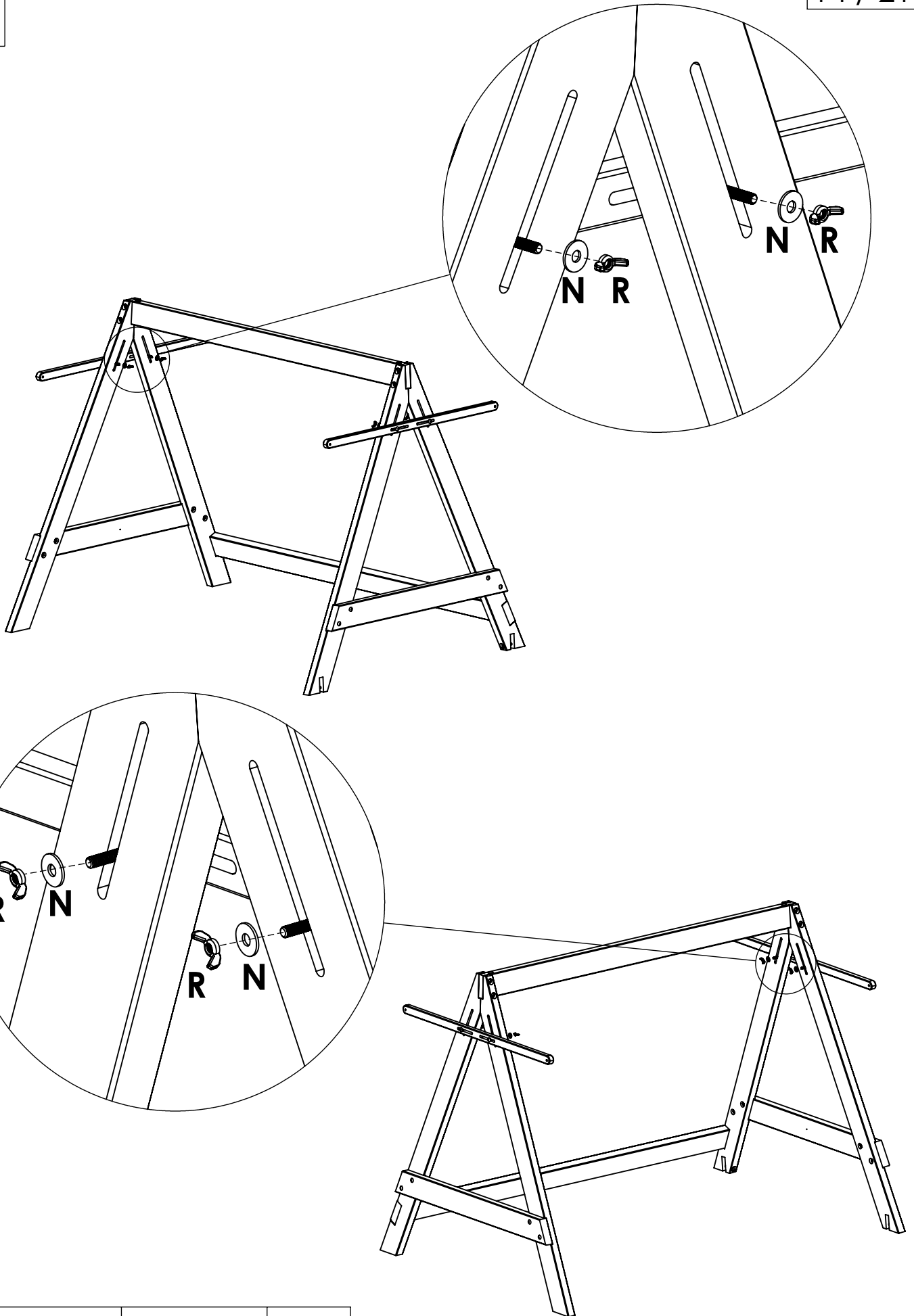
Y





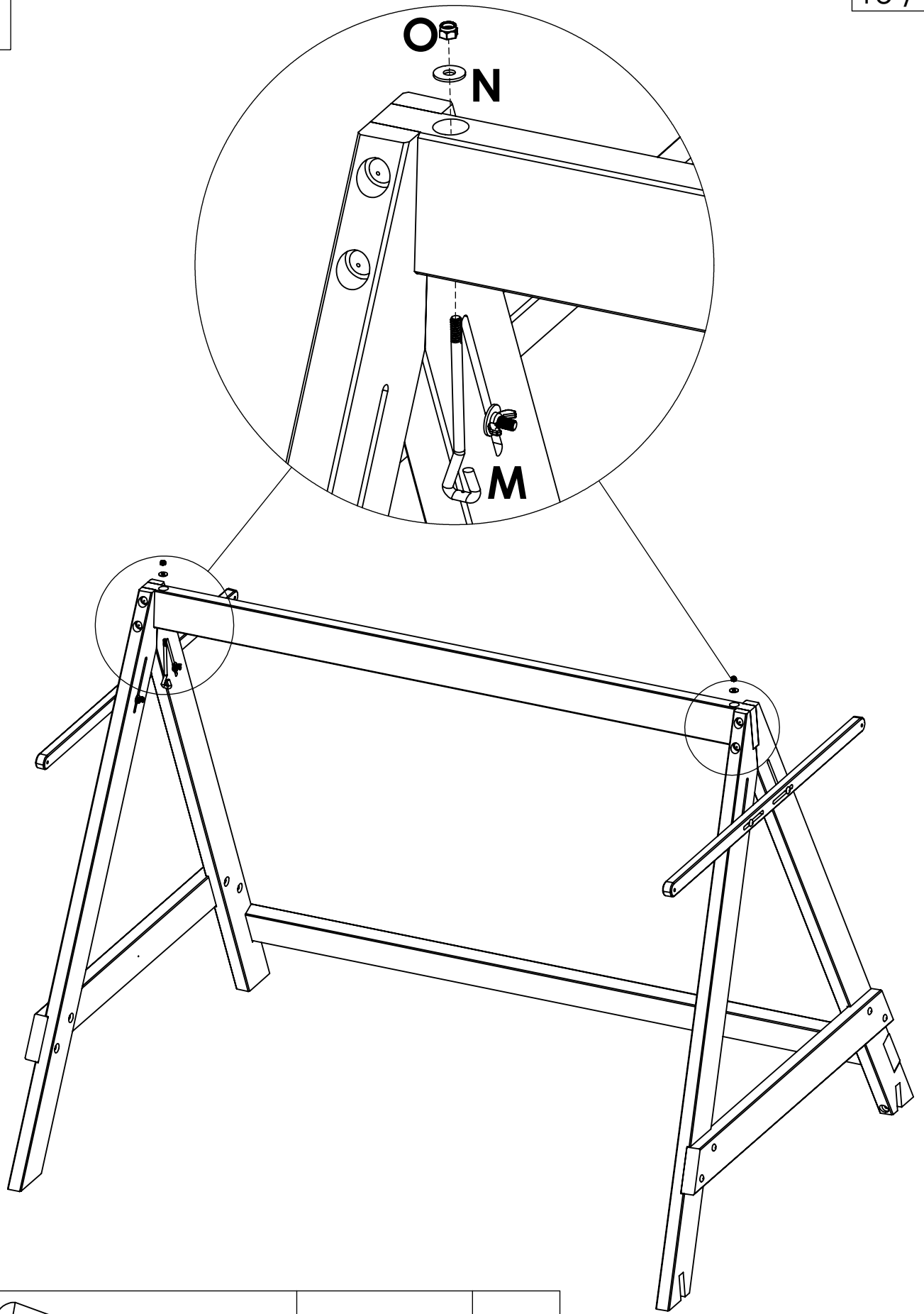
x8

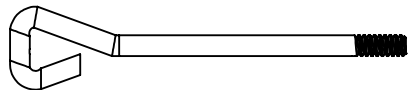




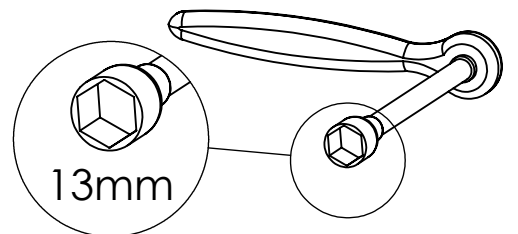
F			M8x90	x4
----------	---	---	--------------	-----------

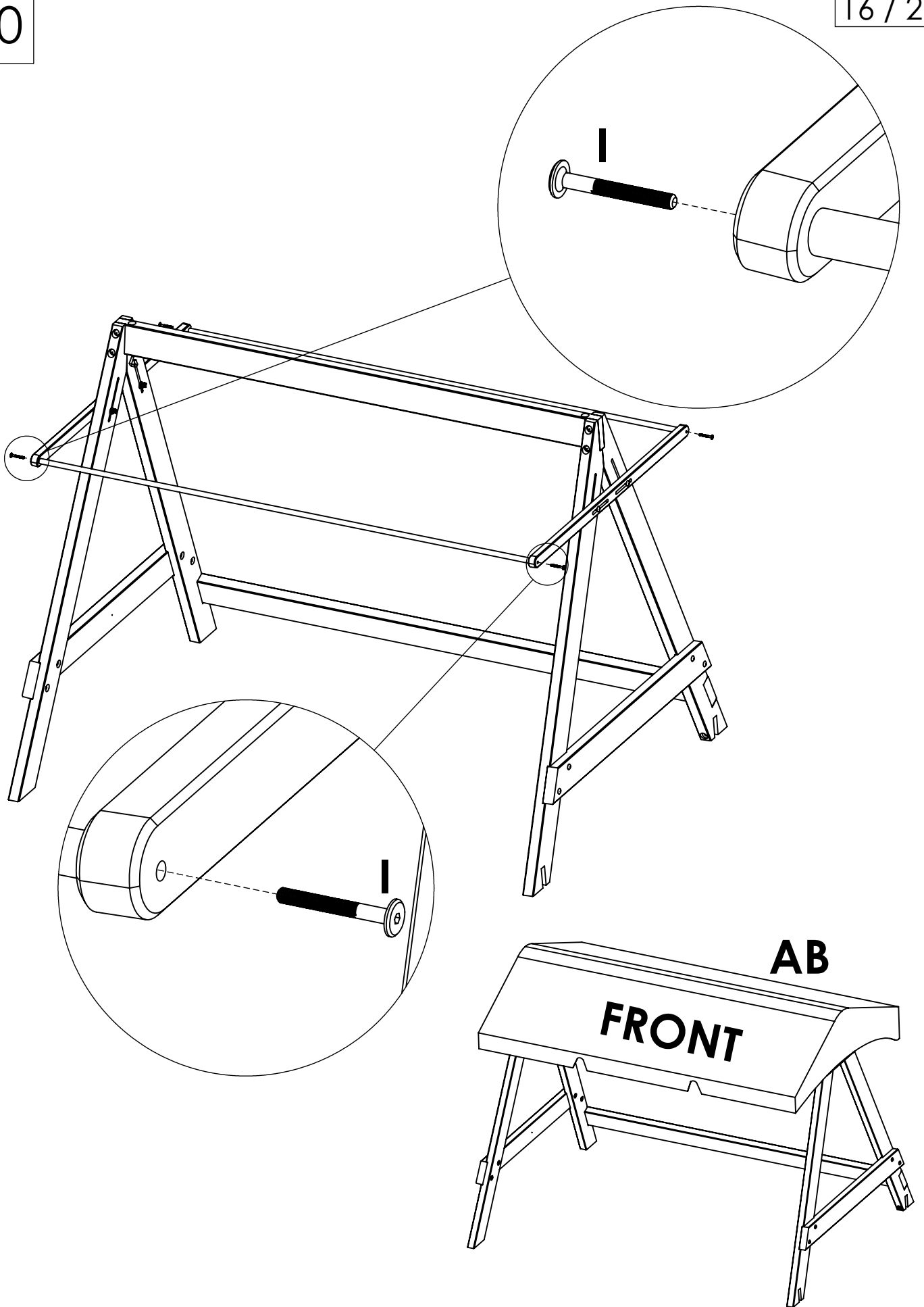


N		M8	x4
R		M8	x4



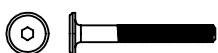
M		M8x100	x2
N		M8	x2
O		M8	x2





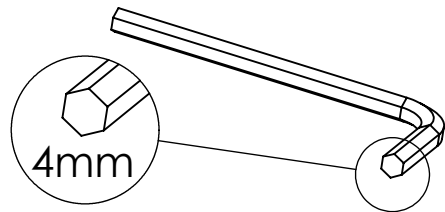
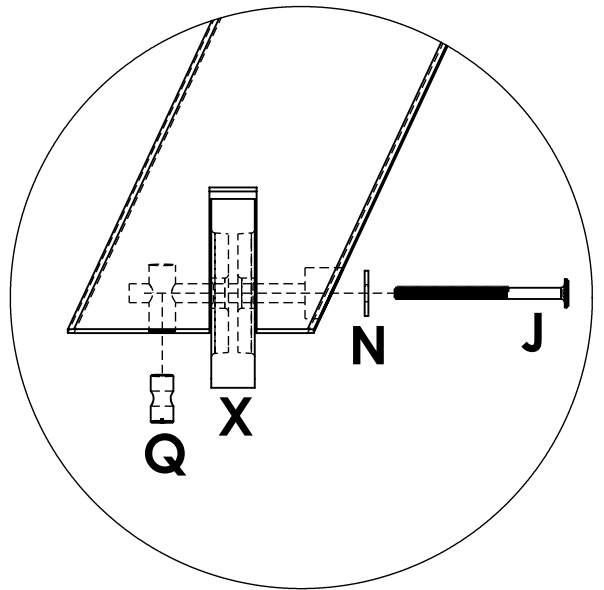
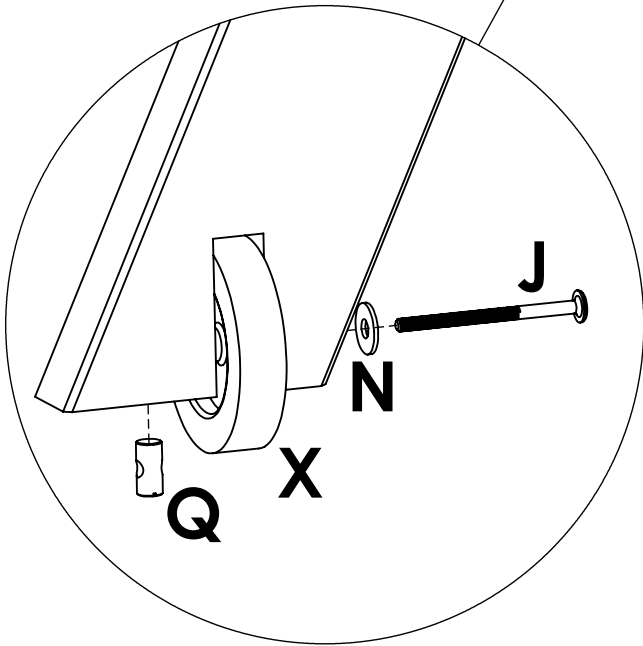
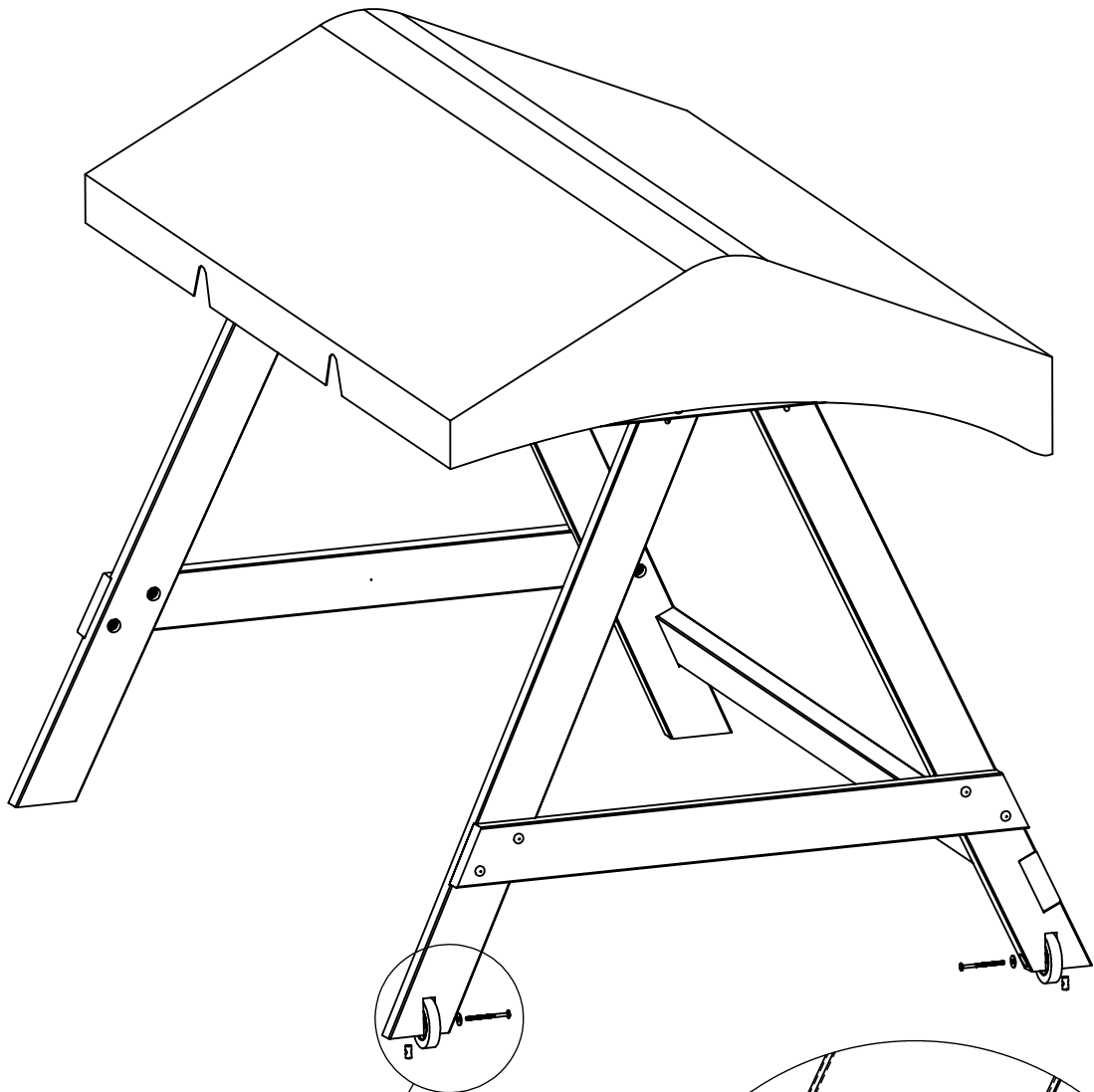
Also assemble on this step "Canopy"


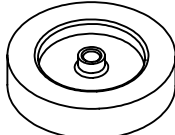

I



M6x50

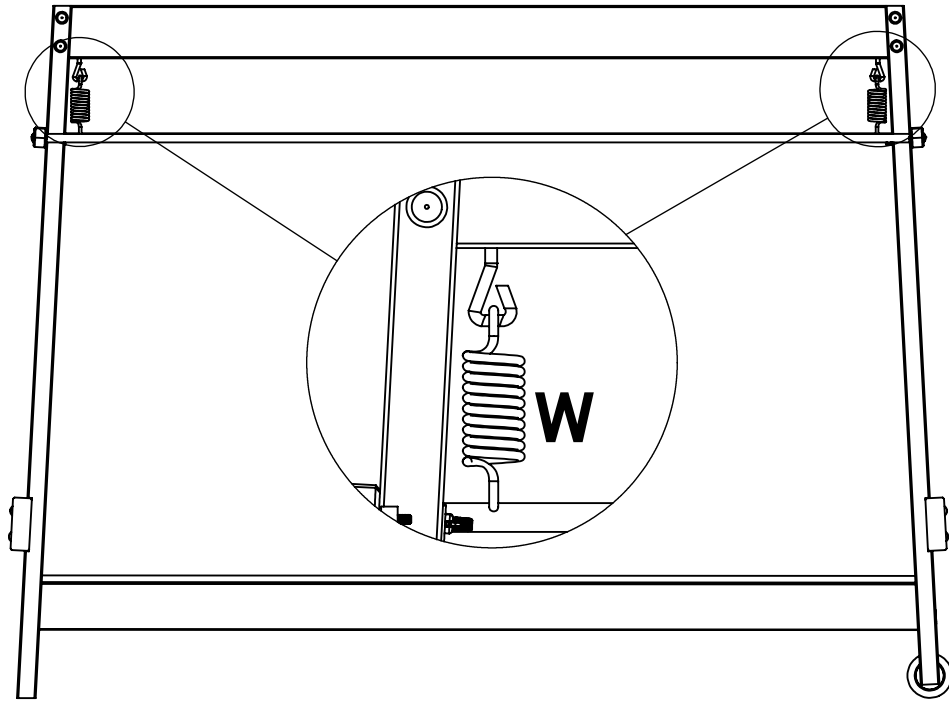
x4



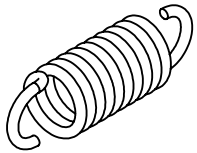
J		M6x90	x2	X 
N		M8	x2	
Q		M8	x2	

22

18 / 21

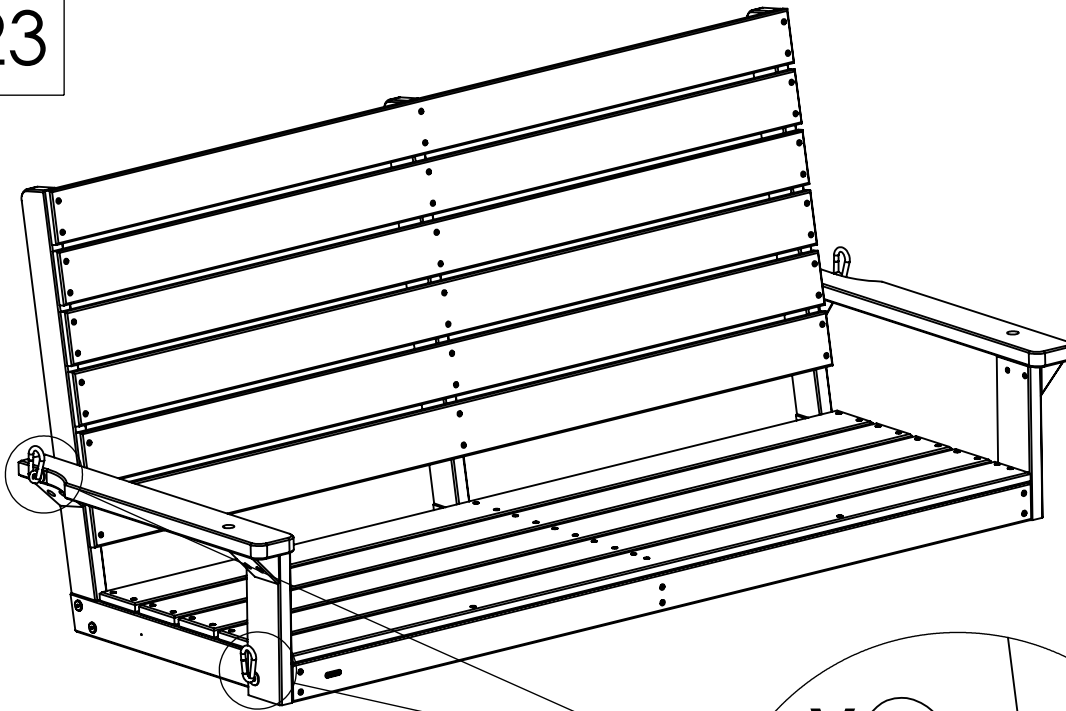


W

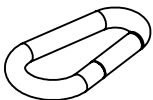


x2

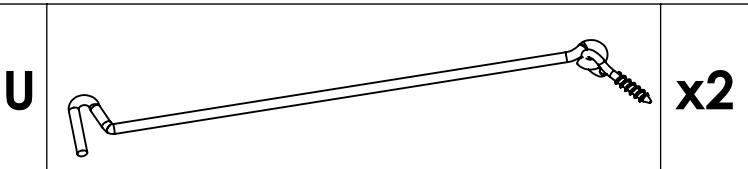
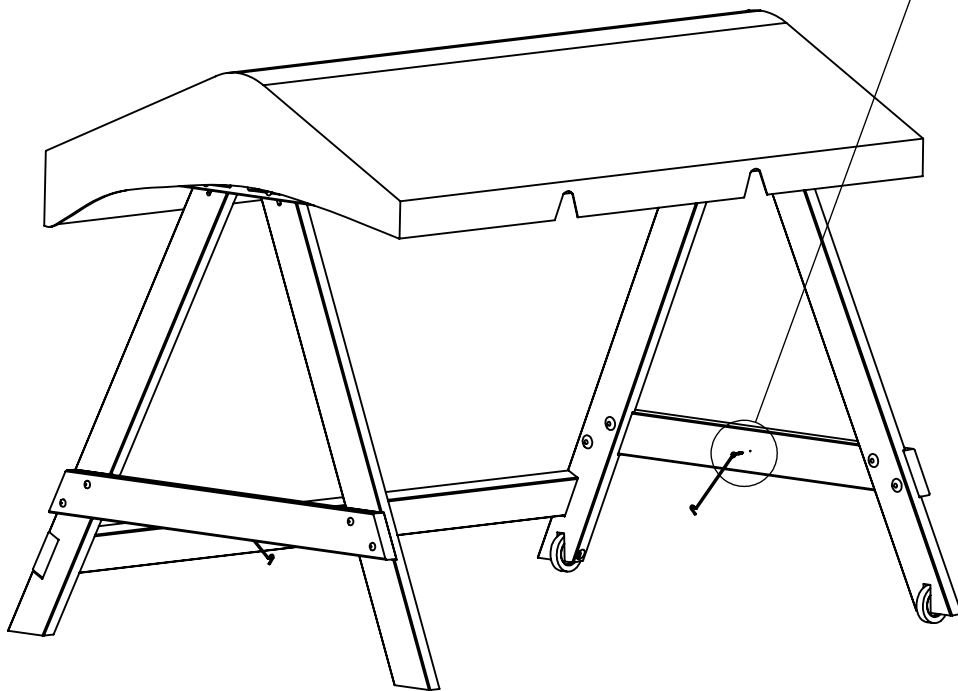
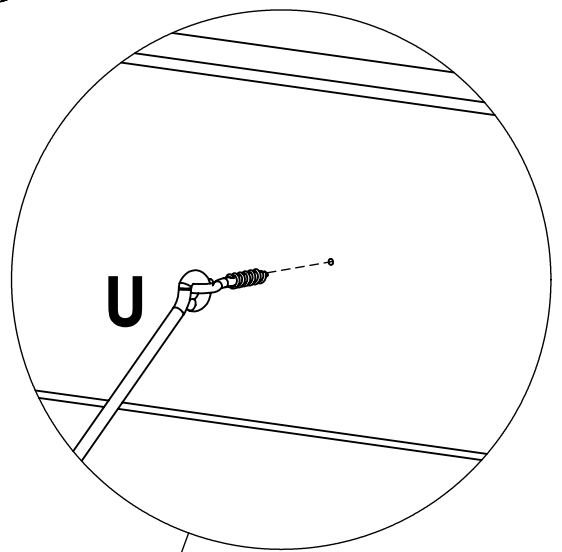
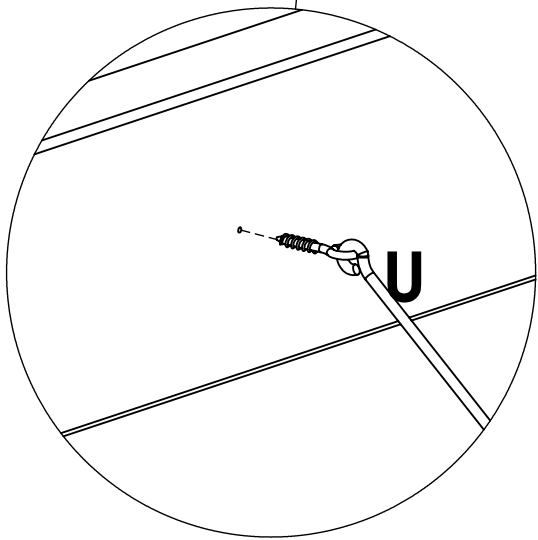
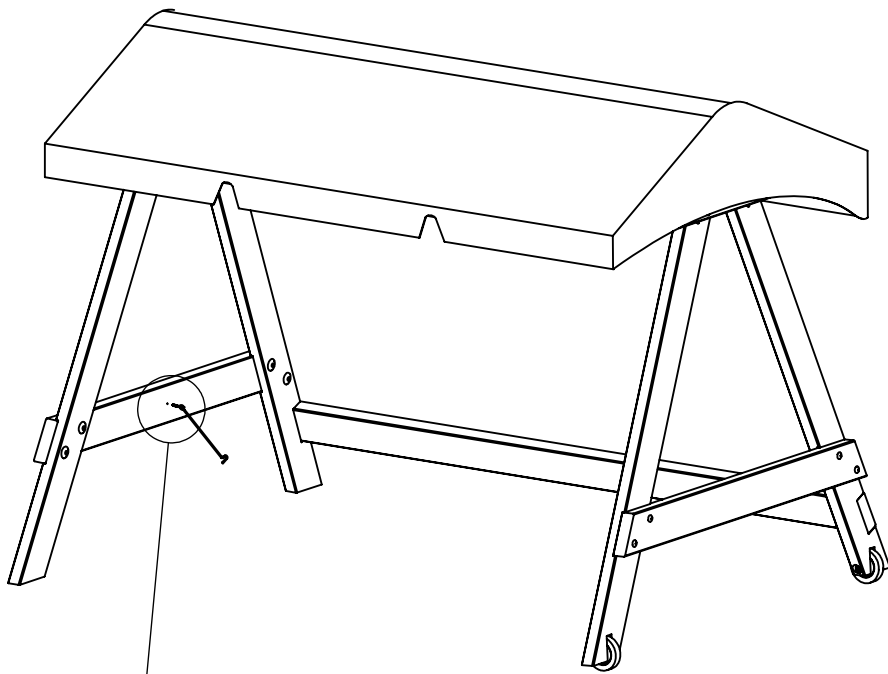
23

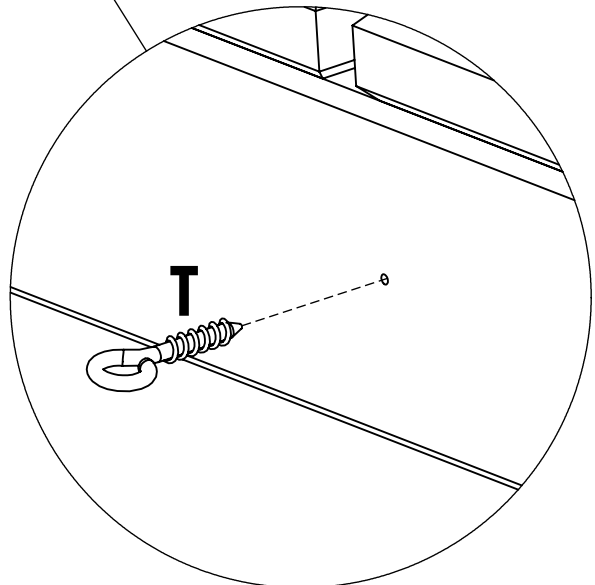
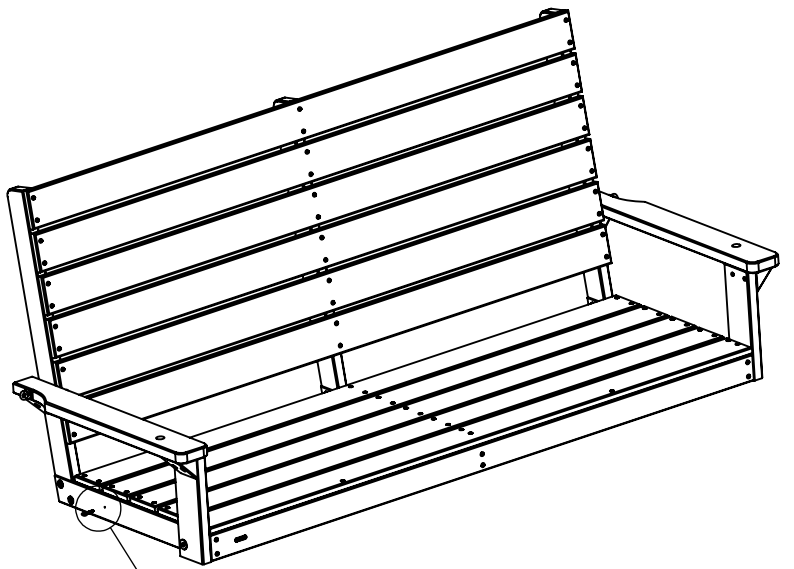
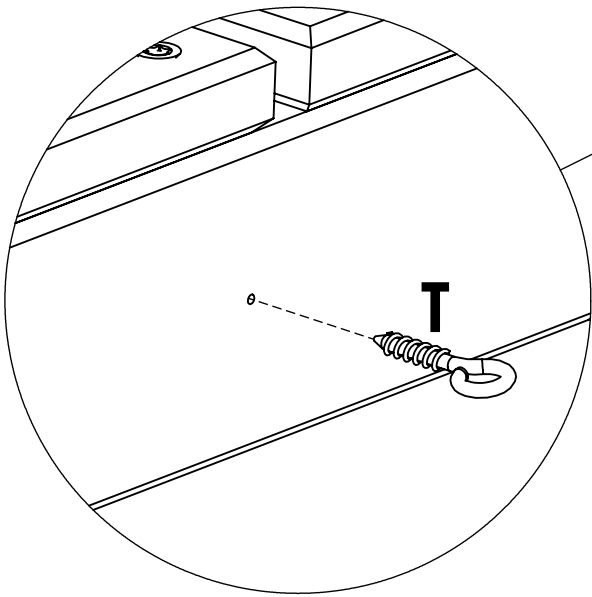
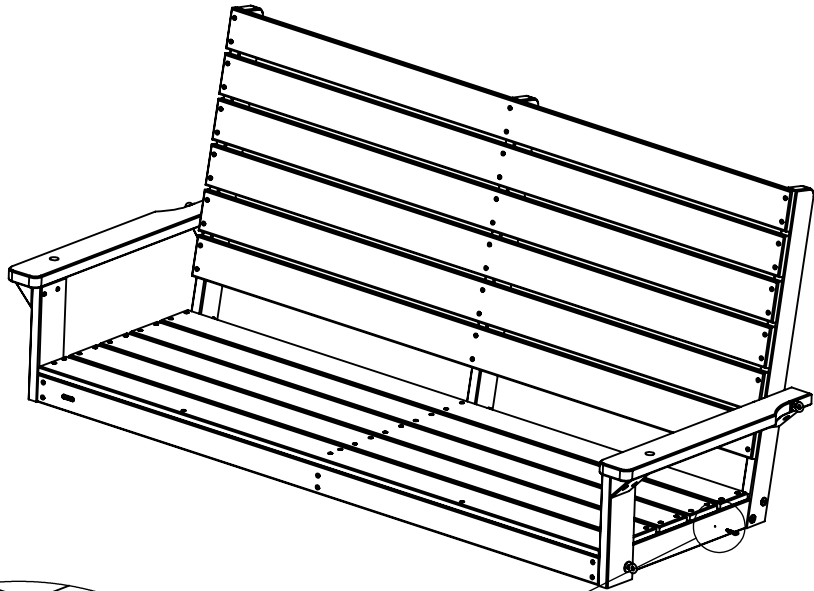



V

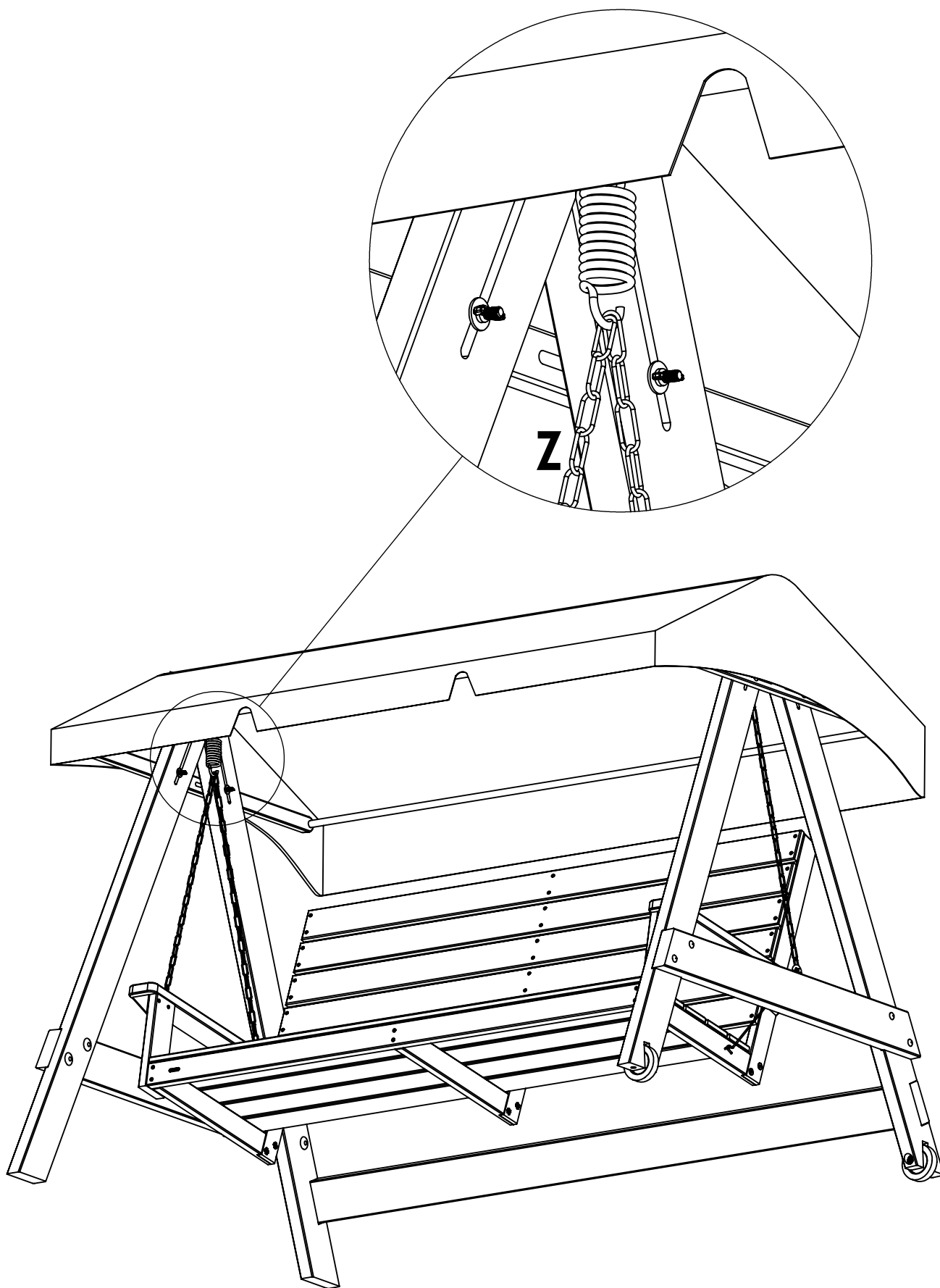


x4

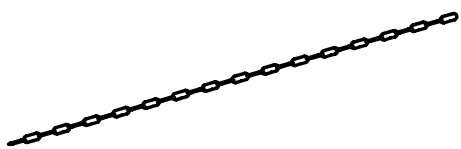




T		x2
----------	---	-----------



Z



x2